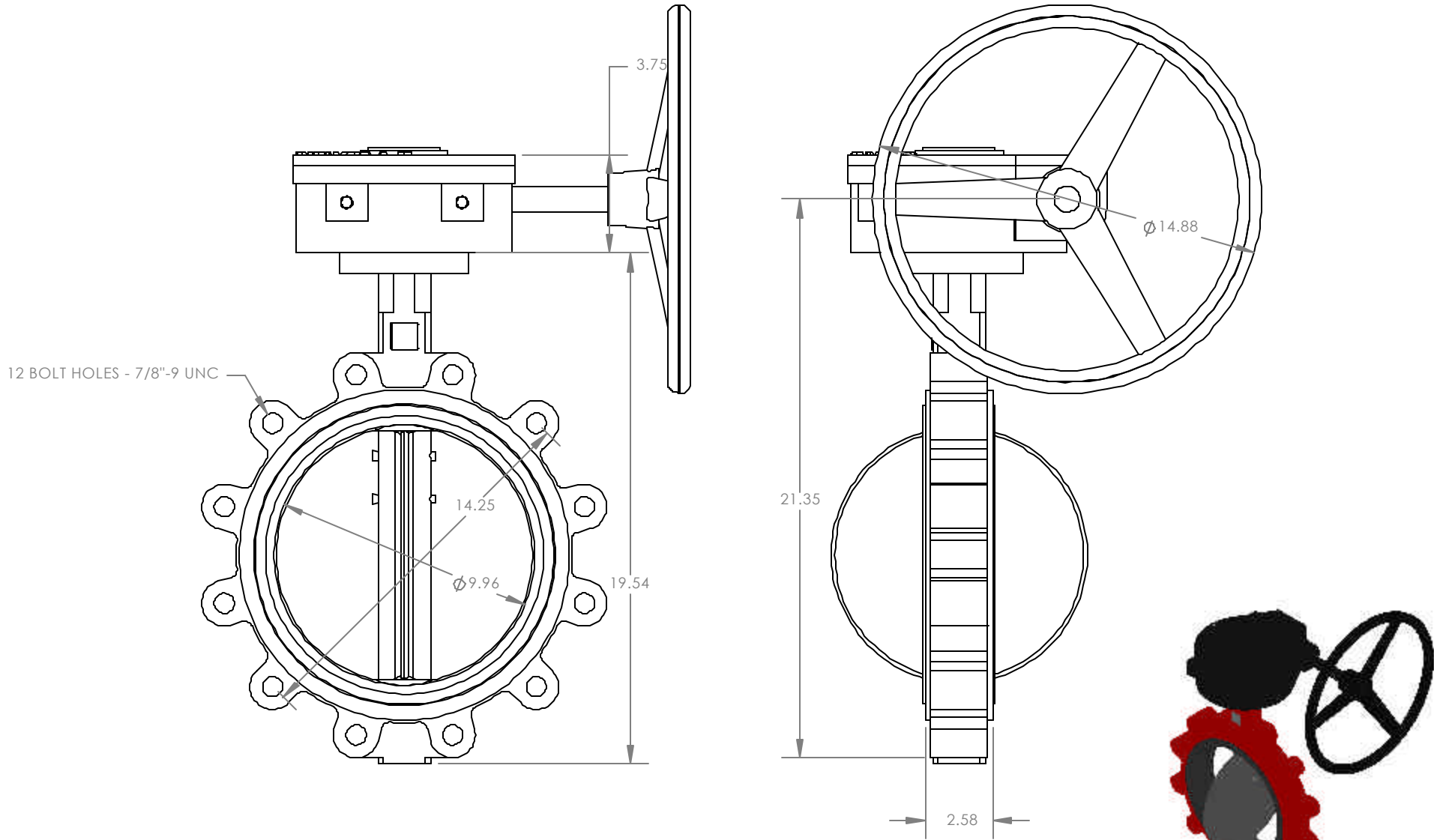


A B C D E F G H

REVISIONS			
REV.	DESCRIPTION	DATE	APPROVED



**PROPRIETARY AND CONFIDENTIAL**  
 THE INFORMATION CONTAINED IN THIS DRAWING IS THE SOLE PROPERTY OF ELITE VALVE CANADA. ANY REPRODUCTION IN PART OR AS A WHOLE WITHOUT THE WRITTEN PERMISSION OF ELITE VALVE CANADA IS PROHIBITED.

DRAWN	A4211114	NAME	JUNE 11, 2011	DATE	DESCRIPTION:	E8500 10" BUTTERFLY VALVE	DWG. NO.	A4211114
CHECKED		MATERIAL:	DI BODY, 316SS DISC	WEIGHT: #	SHEET 1 OF 1	SCALE:1:12	REV: A1	
		CUSTOMER:		SUPPLIER:				

A B C D E F G H