

### E8500 LUG Body

Lug Body Butterfly Valve, Locking in rubber liner, Epoxy coating, ductile Iron Body, 316SS investment cast disc, ISO 5211 mounting flange & 10 position stop, lever, or alternate operators including enclose gear, or pneumatic actuators

**Fluid Application:** water, Seawater, Sewage, Air, Oil, Powder, Gas, Etc.

#### Specification :

ANSI 125LBS/150LBS. Flanges  
 Working Pressure: 150PSI,  
 Seat: 12kg/cm<sup>2</sup> (170PSI)  
 Face to Face Dimensions: ISO-5752/5 Short  
 Material: (Cast Iron), FCD45 (Ductile Iron)  
 CF8M (S/S 316), CF8 (S/S 304)  
 Disc: CF8M (S/S 316)



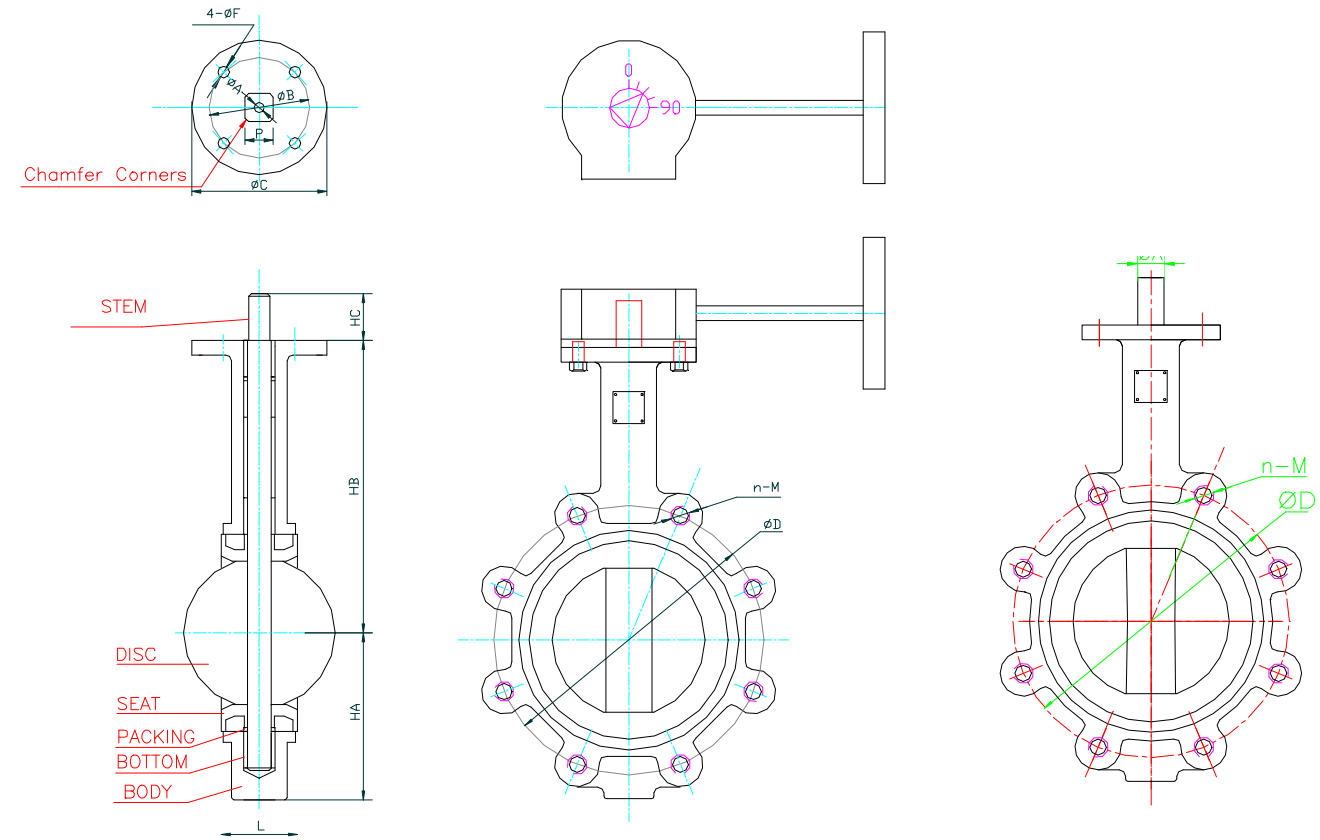
Optional Gear Operators

### E8400 WAFER DESIGN



The valve is ideal for throttling or shutting off the flow of corrosive or incorrosive gases, liquids, semi-liquids and solid powder.

And can be installed in pipelines or on vessels in the industries of petroleum process ing, chemicals food, medicine, textile, paper making, hydroelectricity engineering, ship building, water supply and sewage, metallurgy, energy engineering as well as light industry etc.



Size	A	A1	B	B1	C	C1	D	E	Hole Dia.	Cv Values	Breaking Torque EPDM	Breaking Torque PTFE EPDM	E8400 Weight lbs.	E8500 Weight lbs.	FXG
2"	3.35	5.24	1.26	0.51	1.69	0.94	2.20	2.76	0.39	122	115	125	7.92	8.58	10x4
3"	3.54	5.98	1.26	0.51	1.81	0.94	3.19	2.76	0.39	428	221	210	9.68	12.98	10x4
4"	3.86	6.69	1.26	0.63	2.05	0.94	4.06	2.76	0.39	836	398	295	13.2	18.48	10x4
6"	4.41	8.00	1.26	0.63	2.20	0.94	5.87	2.76	0.39	1971	640	720	16.28	22.88	10x4
8"	8.00	9.05	1.35	0.75	2.36	1.02	7.60	4.02	0.47	3788	1890	1015	19.36	27.28	12X4
10"	8.14	10.87	1.37	0.87	2.68	1.02	9.65	4.02	0.47	6600	3370	2160	32.34	38.94	12X4
12"	9.37	11.81	1.37	1.10	3.07	1.02	11.61	4.02	0.47	9811	5340	2700	54.34	63.14	12X4

Note: 1) The torque values are base on liquid applications, for dry or non-lubricating applications add a 25% service factor to the above values.  
 2) The Cv flow values calculated base on water at 70F, and 60 psi

## MODEL SELCTION GUIDE

MODEL/PRODUCT AVAILABILITY					
MODEL	BODY MAT'L	DISC MAT'L	SEAT MAT'L	OPERATOR	SIZE
TABLE A	TABLE B	TABLE C	TABLE D	TABLE E	TABLE F

TABLE A		TABLE B		TABLE C		TABLE D		TABLE E		TABLE F	
E8400 Wafer	E84	316SS	S	316SS	S	EPDM	E	Buna N	N	Ball	B
E8500 Lug	E85	Ductile Iron	D	Bronze	B	Buna N	N	Teflon Coated EPDM	T	StarGate	L
		OTHER	X	Ductile Iron	D					Gate	G
										Roll	A

## SEAT SELECTION

Seat Selection Table		
Seat Material	Maximum	Minimum
EPDM	275 F (135 C)	-40 F (-40 C)
BUNA-N	250 F (121 C)	0 F (-17 C)
PTFE (Coated EPDM)	275 F (135 C)	-20 F (-28 C)

### Warranty & Performance

**Elite Valve Canada** warrants its products against manufacturing defect or failure as a result of a manufacturing defect for a period of one year from date of purchase.

This warranty is limited to the performance of the valve and Elite Valve components, including actuators, where assembled by Elite Valve Canada. Elite Valve Canada, will repair, replace or refund the purchaser for those components at its discretion provide that no modification or alternation have been made to the components. Furthermore, the warranty is limited to the components in question, and does not cover any damages either directly or indirectly to the system which is mounted.

Distributed By



Samia, Ontario, Canada  
Ph: 519-332-8809  
Fax: 519-337-7933  
www.elitevalve.com

# WATER



**Elite**  
Valve Canada

the flow  
control  
company

# FILTRATION



*Elite E8500 series*