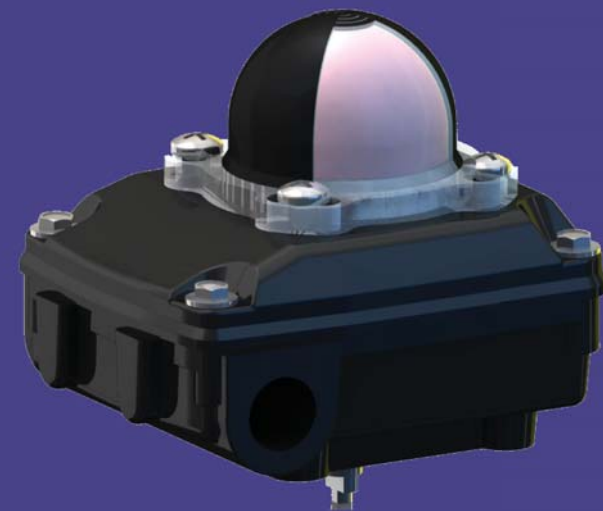


# Scorpion E850 Limit Switch



### Visual Position Indicator

Limit Switch adjustment cams are splined and spring loaded, the Switch cam position can be quickly adjust without tools (closed-up, open-down)

### Multipoint Terminal Strip

Terminal strip number with 8 contacts is standard for micro switches. There are connected solenoid valve service.

### Dual Wire Potting

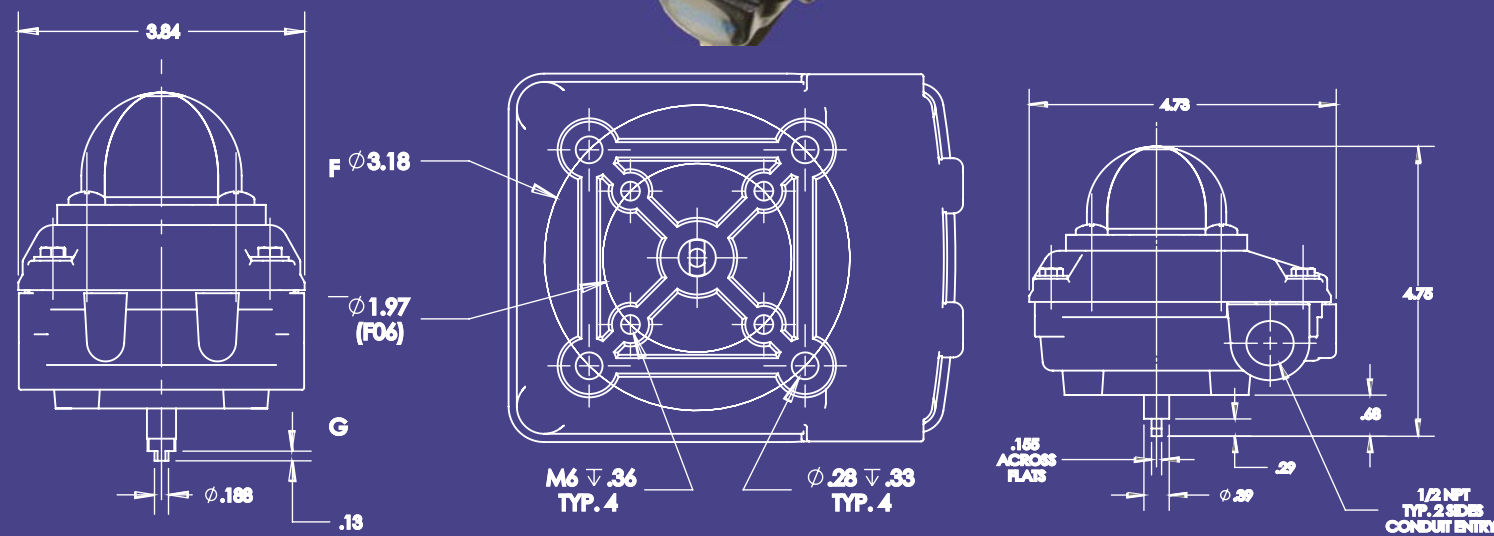
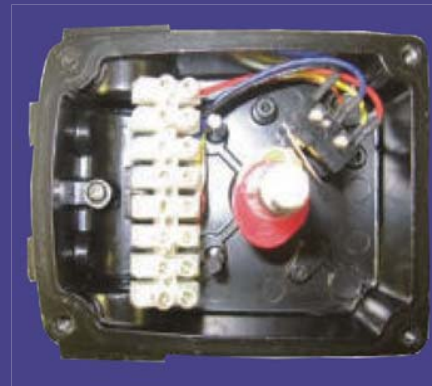
Dual 1/2" conduit entries

### Captive Cover Bolts

There are designed to be captive by the cover, when it removed.

### Easy Mounting Bracket

Any actuator for rotary motion can be easily mounted in ISO5211



# Scorpion E870x Limit Switch Explosion proof



### Visual Position Indicator

Limit Switch adjustment cams are splined and spring loaded, the Switch cam position can be quickly adjust without tools (closed-up, open-down)

### Multipoint Terminal Strip

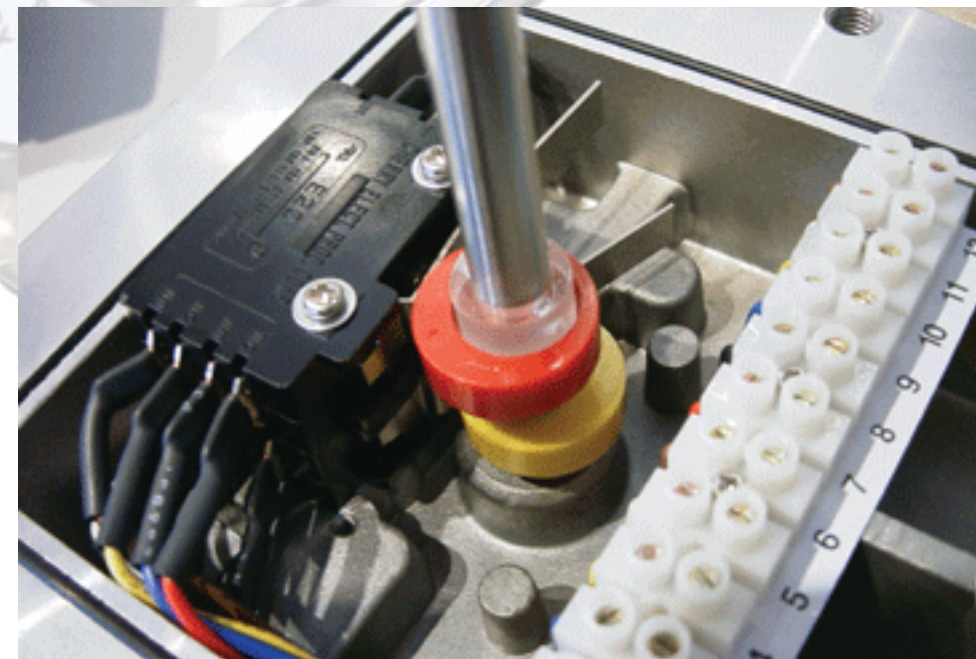
Terminal strip number with 8 contacts is standard for micro switches. There are connected solenoid valve service.

### Dual Wire Potting

Dual 3/4" conduit entries

### Easy Mounting Bracket

Any actuator for rotary motion can be easily mounted in ISO5211



### Enclosure : IP67. EX/Proof.

### EEExd IIB T6 to CENELEC

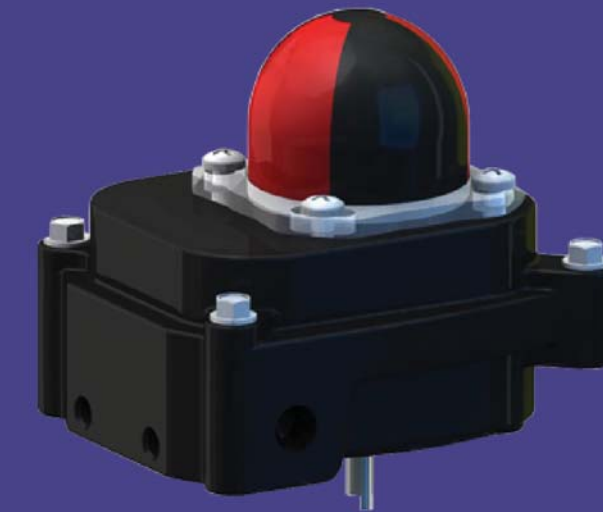
### EN 50014/50018

### Position indicator (Open/Closed)

### 2-DPDT Mechanical switch

### Mounting bracket (NAMUR VDE/VDI 3845)

# Scorpion E900 Limit Switch



### Visual position indicator.

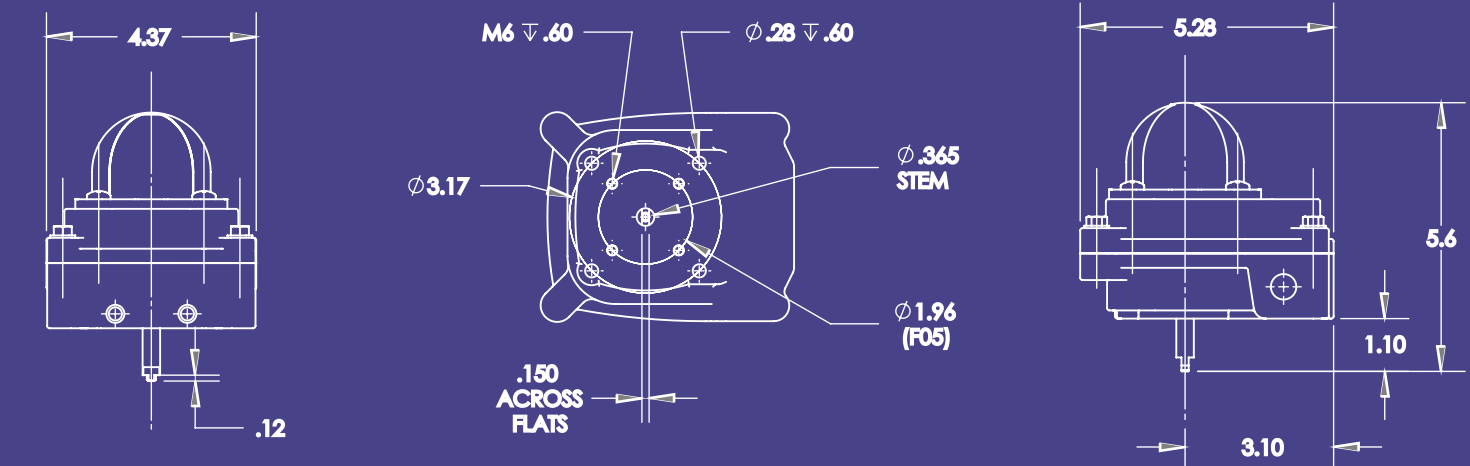
Limit switch adjustment cams has spring. Changing cam position is very simple without requiring any tools. (close-up, open-down)

Terminal strip number with 8 contacts is standard for micro-switches.

Solenoid valve can be connected easily. Dual 1/2" conduit entries.

It is designed to be captive by the cover.

Can be mounted on any rotary actuator in ISO5211.

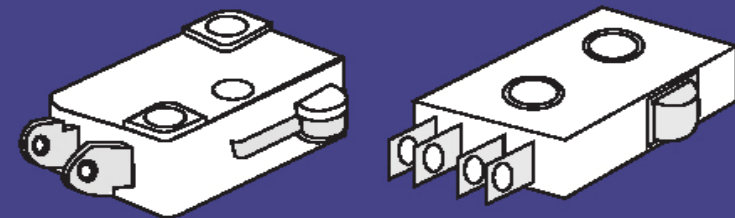




AREA CLASSIFICATIONS	
NEMA 4, 4X, 7, 9	
CLASS I, GROUPS C, D	
CLASS II, GROUPS E, F, G	
DIVISIONS 1 & 2	

## Getting to know your switches...

limit switch is an electromechanical device. It is placed in the control circuitry of a machine system. A proximity switch is also like a limit switch, but it is not mechanical. It could be either magnetic or infrared etc.

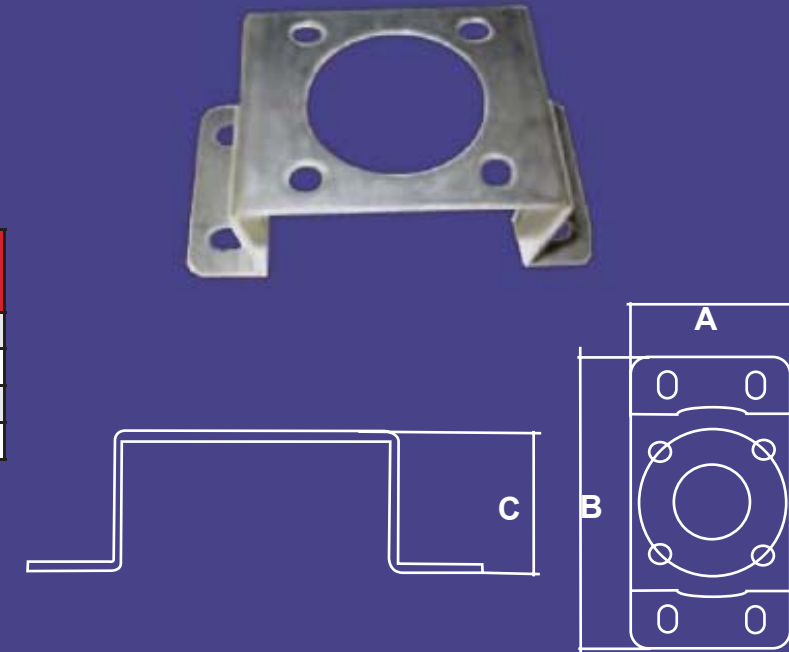


ENCLOSURE	
CONDUIT ENTRIES	NEMA 4: (1) 1/2" NPT NEMA 4, 4X, 7, 9: (2) 3/4" NPT
TERMINAL STRIP	8 CONTACTS STANDARD 16 CONTACTS AVAILABLE

SPDT			DPDT		
AMPS	VAC	VDC	AMPS	VAC	VDC
15	125		10	125	
15	250		10	250	
6		24	10		28
5		125			
25		250			

## Stainless Steel Mounting Bracket

BRACKET	A (width)	B (length)	C (heights)
No.1	30	80	20
No.2	30	80	30
No.3	30	130	30
No.4	30	130	50



APPROVALS / CERTIFICATION	
ATEX	ATEX CERTIFICATION (consult manufacture)
CSA	CANADIAN STANDARDS ASSOCIATION
UL	UNDERWRITERS LABORATORIES INC.
NEPSI	CHINA APPROVAL - GYJ05226

PART	MODEL	SWITCH	TYPE	CONDUIT	RATING	BRACKET
------	-------	--------	------	---------	--------	---------

MODEL	SWITCH	TYPE	CONDUIT	RATING	BRACKET	
E850	85	SPDT SPD	MECHANICAL ME	1/2" 1	NEMA 4,4x 4	No.1 B1
E870x	87x	SPST SPS	HERMETICALLY SEALED HE	3/4" 2	NEMA 7 7	No.2 B2
E900	90	DPDT DPD				No.3 B3 No.4 B4

## Scorpion E850 Limit Switch

ITEM TYPE	MECHANICAL SWITCH	PROXIMITY SWITCH
Switch Rating	AC:250V 16A, 125V 16A DC:250V 0.2A,125V 0.4A,30V 4A	12~24VDC (Operating Voltage:10~30V DC)
Enclosure Protection	Wether Proof,IP67 / NAMA4&4X EXPLOSION PROOF	
Approval	NEMA 4, 4x	
Ambient Temp	-20~60°C(Standard)	
Conduit Entry	NPT3/4 (PT3/4,PF3/4)	
Terminal	8 Points	12 Points***
Mouting Bracket	NAMUR VDI /VED 3845,ISO 5211	
Material	Aluminum Diecasting	
Weight	1.5Kg(3.3lb)	

## Scorpion E870x Limit Switch Explosion proof

ITEM TYPE	MECHANICAL SWITCH	PROXIMITY SWITCH
Switch Rating	AC:250V 16A, 125V 16A DC:250V 0.2A,125V 0.4A,30V 4A	12~24VDC (Operating Voltage:10~30V DC)
Enclosure Protection	Wether Proof,IP67 / NAMA4&4X EXPLOSION PROOF	
Approval	Ex d IIC T6 (Explosion Proof)	
Ambient Temp	-20~60°C(Standard)	
Conduit Entry	NPT3/4 (PT3/4,PF3/4)	
Terminal	8 Points	12 Points***
Mouting Bracket	NAMUR VDI /VED 3845,ISO 5211	
Material	Aluminum Diecasting	
Weight	1.5Kg(3.3lb)	

\*\*\* 12 Points standard in DPDT

## Scorpion E900 Limit Switch

SPECIFICATIONS	STANDARD	OPTIONAL	MATERIAL	
ENCLOSURE PROTECTION	WEATHER PROOF IP87/ NMA4 & 4X	IP68	HOUSING	ALUMINIUM DIE-CASTING
AMBIENT TEMPERATURE	-20°C - 80°C		SHAFT	STAINLESS STEEL
CONDUIT ENTRY	2 x NPT 1/2"	PF 1/2".PT 1/2" M20, PG13.5	INDICATOR COVER	POLYCARBONATE
SWITCHES	MECHANICAL SWITCHES x 2 PROXIMITY SENSOR x 2		INDICATOR	ABS POLYCARBONATE
TERMINAL	8 POINTS		CAM	POLYCARBONATE
SHAFT	STANDARD SHAFT (17mm)	LONG SHAFT	SPRING	STAINLESS STEEL
EXTERNAL COATING	BLACK	RED, GREEN, SILVER, YELLOW	O-RING	NBR
WEIGHT	880g		BRACKET	STAINLESS STEEL

STANDARD OUTPUT SIGNAL	1000 OHMS	STANDARD OUTPUT SIGNAL	4-20 mA DC 2 WIRE
POWER RATING AT 70°C	1 WATT	POWER REQUIREMENTS	6.5 - 33 VDC
ELEMENTS	CONDUCTIVE PLASTIC	MAX LOAD REQUIREMENTS AT 24 VDC	950 OHMS
ROTATIONAL LIFE (NO LOAD)	100, 000 CYCLES	OPERATION TEMPERATURE	-40°C ~ 85°C



# SCORPION LIMIT SWITCHES



E850 | E900 | E870x