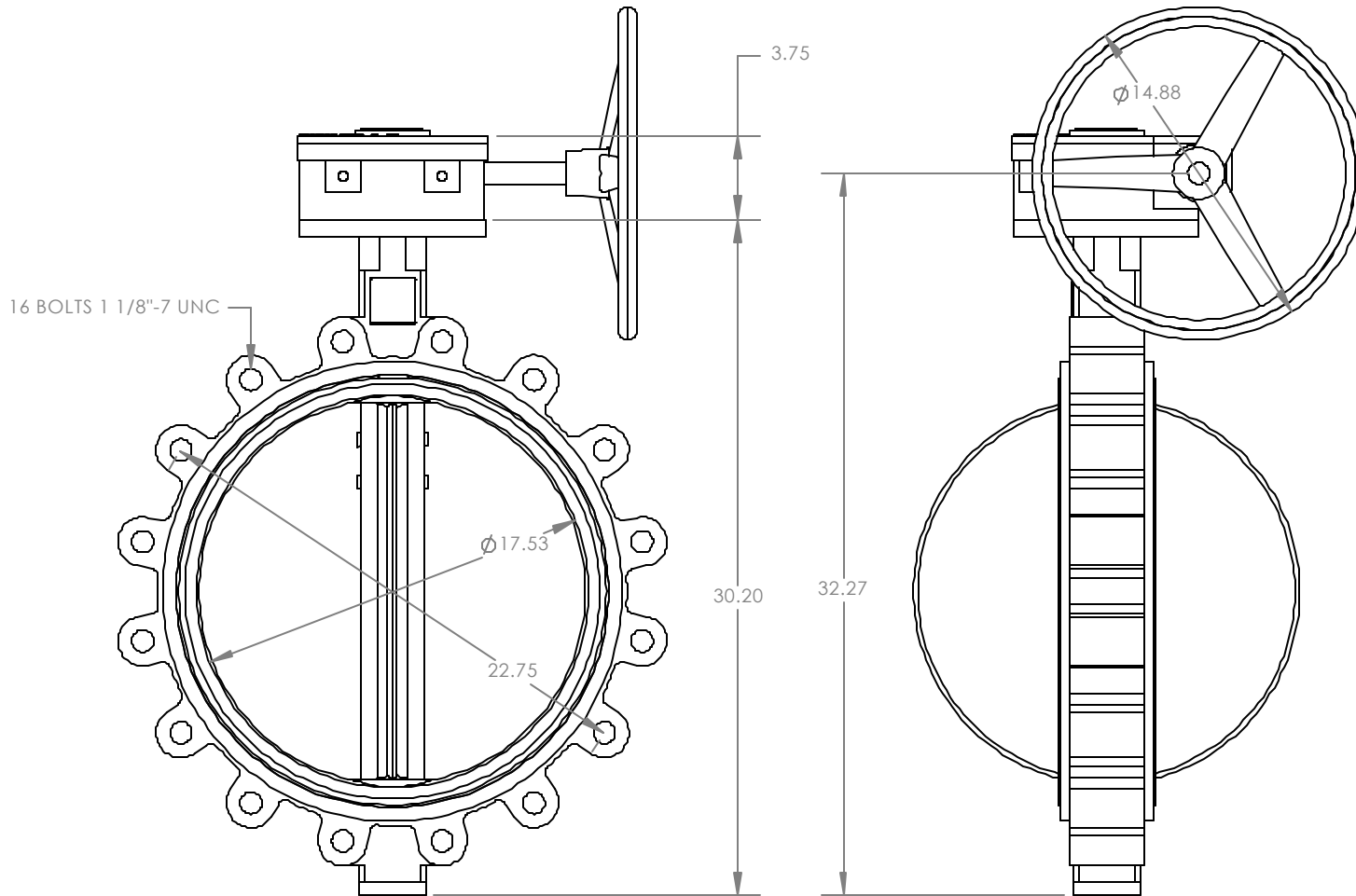


REVISIONS			
REV.	DESCRIPTION	DATE	APPROVED



**PROPRIETARY AND CONFIDENTIAL**  
 THE INFORMATION CONTAINED IN THIS DRAWING IS THE SOLE PROPERTY OF ELITE VALVE CANADA. ANY REPRODUCTION IN PART OR AS A WHOLE WITHOUT THE WRITTEN PERMISSION OF ELITE VALVE CANADA IS PROHIBITED.

DRAWN	NAME	DATE	DESCRIPTION:	DWG. NO.
	JBW	JUNE 11, 2011	E8500 18" BUTTERFLY VALVE WITH GEAR	A4211110
CHECKED			MATERIAL: DI BODY, 316SS DISC	WEIGHT: #
			CUSTOMER:	SHEET 1 OF 1
			SUPPLIER:	SCALE: 1:16
				REV: A.1