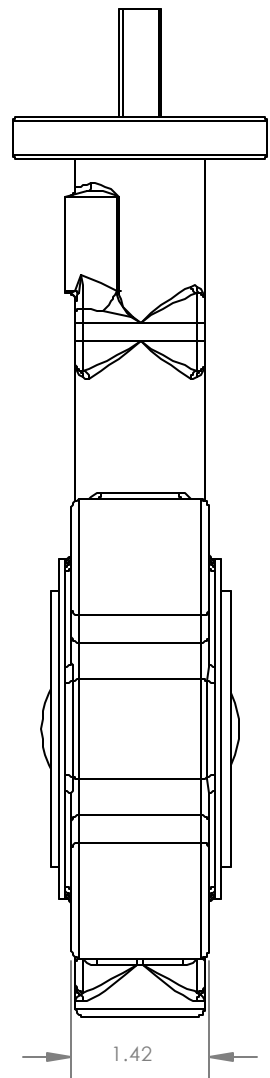
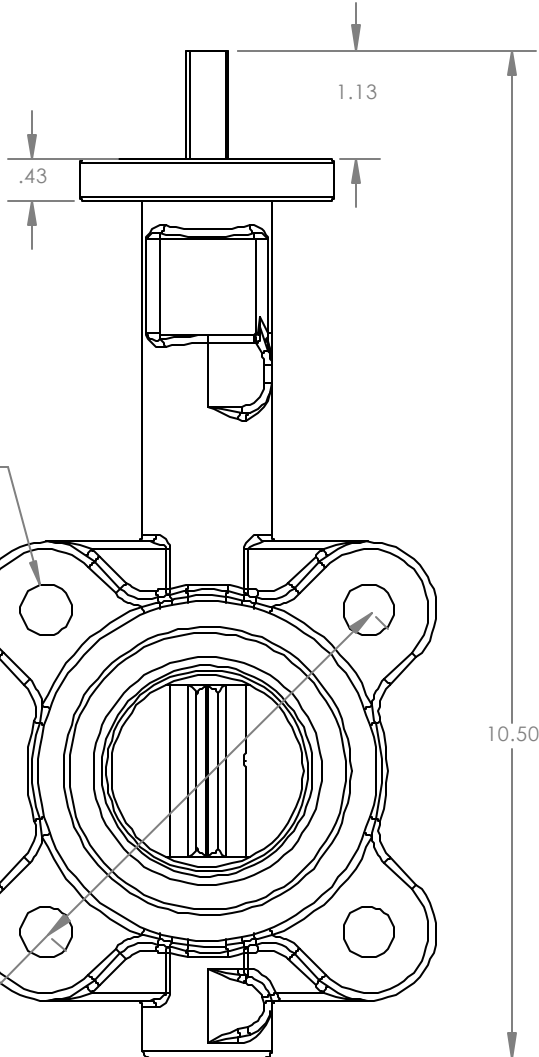
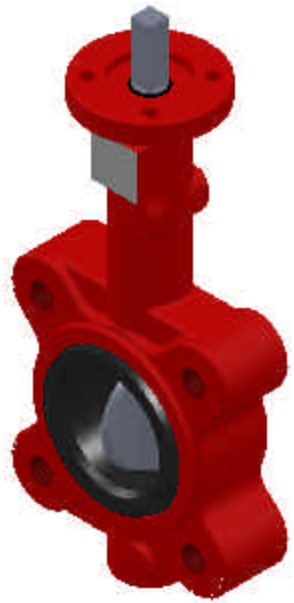
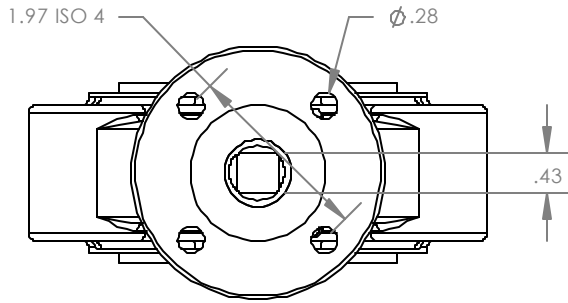


A  
B  
C  
D  
E  
F  
G  
H

A  
B  
C  
D  
E  
F  
G  
H



**PROPRIETARY AND CONFIDENTIAL**  
 THE INFORMATION CONTAINED IN THIS DRAWING IS THE SOLE PROPERTY OF ELITE VALVE CANADA. ANY REPRODUCTION IN PART OR AS A WHOLE WITHOUT THE WRITTEN PERMISSION OF ELITE VALVE CANADA IS PROHIBITED.

	NAME	DATE	DESCRIPTION:	DWG. NO.
DRAWN	B. VOS	JUN 24/08	E8500 BUTTERFLY VALVE (2")	
CHECKED			MATERIAL:	WEIGHT: #
			CUSTOMER:	SHEET 1 OF 1
			SUPPLIER:	SCALE:1:4
				REV: A1