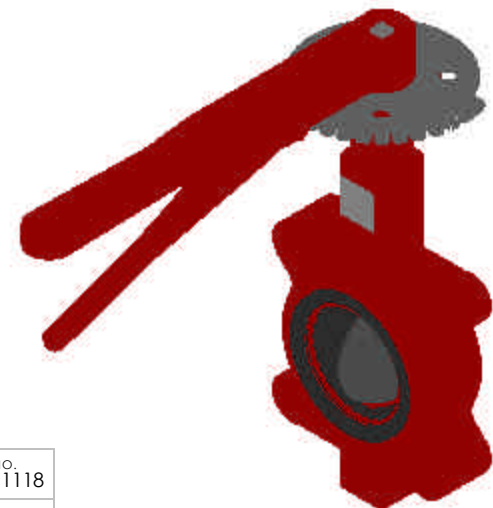
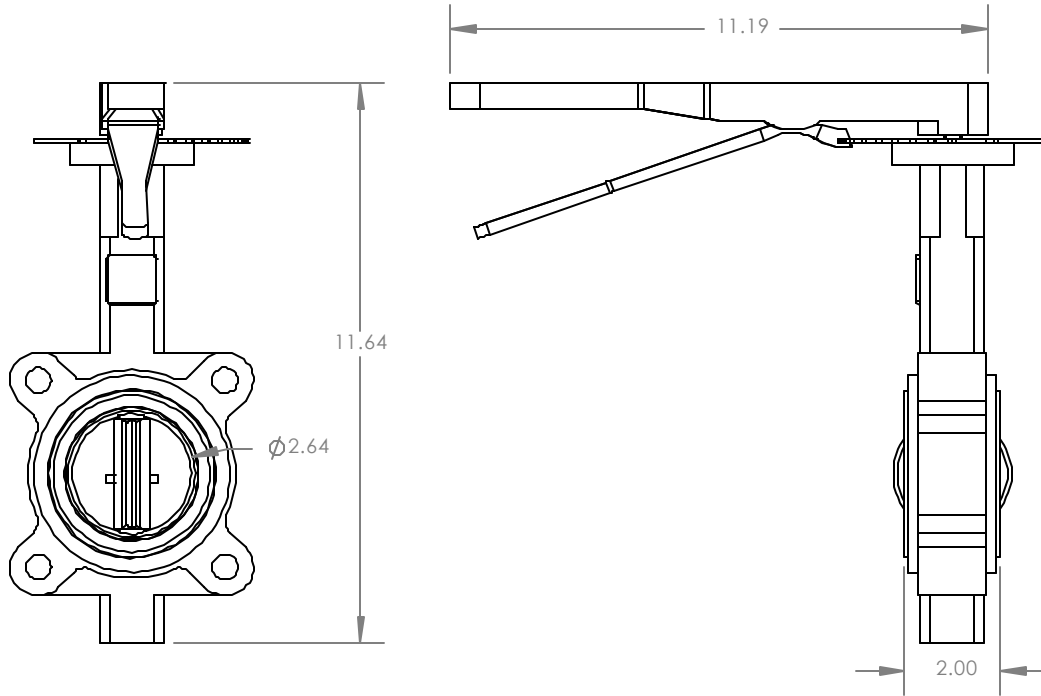


A B C D E F G H

REVISIONS			
REV.	DESCRIPTION	DATE	APPROVED



PROPRIETARY AND CONFIDENTIAL
 THE INFORMATION CONTAINED IN THIS DRAWING IS THE SOLE PROPERTY OF ELITE VALVE CANADA. ANY REPRODUCTION IN PART OR AS A WHOLE WITHOUT THE WRITTEN PERMISSION OF ELITE VALVE CANADA IS PROHIBITED.

	NAME	DATE	DESCRIPTION:	DWG. NO.
DRAWN	JBW	JUNE 11, 2011	E8500 2.5" BUTTERFLY VALVE	A42111118
CHECKED			MATERIAL: DI BODY, 316SS DISC	WEIGHT: #
			CUSTOMER:	SHEET 1 OF 1
			SUPPLIER:	SCALE:1:8
				REV: A1

A B C D E F G H