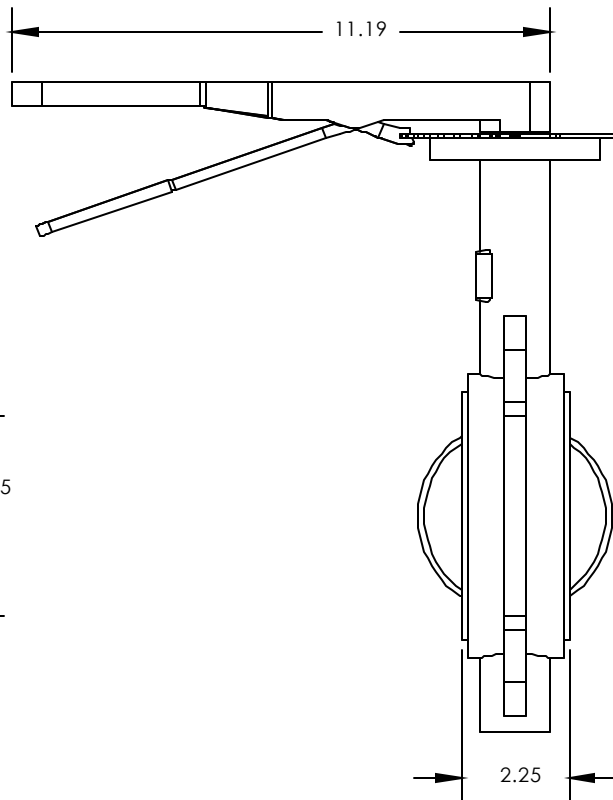
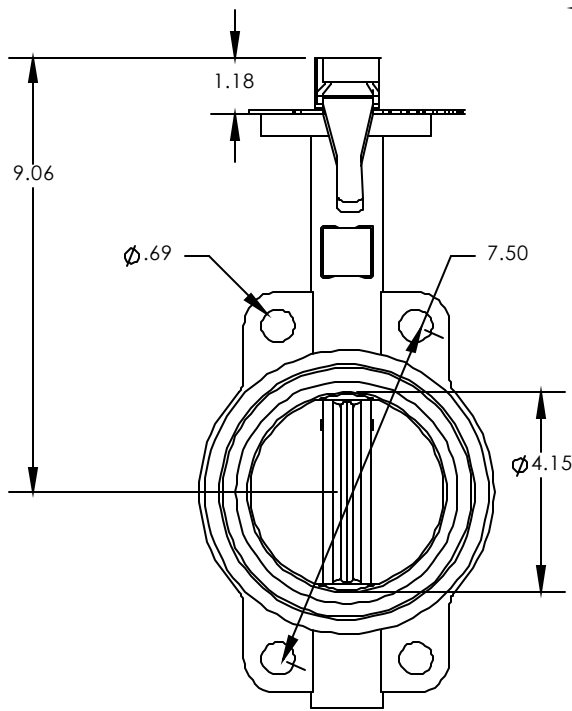
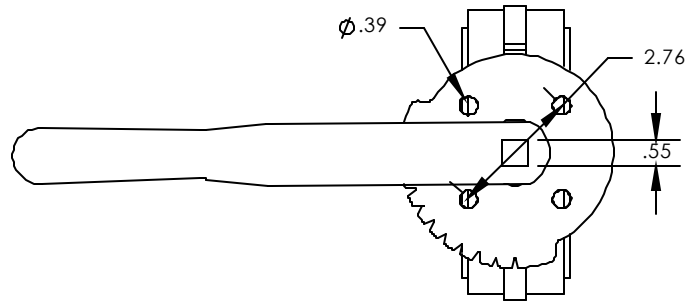


A B C D E F G H

REVISIONS			
REV.	DESCRIPTION	DATE	APPROVED



PROPRIETARY AND CONFIDENTIAL
 THE INFORMATION CONTAINED IN THIS DRAWING IS THE SOLE PROPERTY OF ELITE VALVE CANADA. ANY REPRODUCTION IN PART OR AS A WHOLE WITHOUT THE WRITTEN PERMISSION OF ELITE VALVE CANADA IS PROHIBITED.

	NAME	DATE	DESCRIPTION: E8400 4" BUTTERFLY VALVE	DWG. NO. A42111122
DRAWN	JBW		MATERIAL: DI BODY, 316SS DISC	WEIGHT: #
CHECKED			CUSTOMER:	SUPPLIER:
				SHEET 1 OF 1
				SCALE: 1:8
				REV: A.1

A B C D E F G H