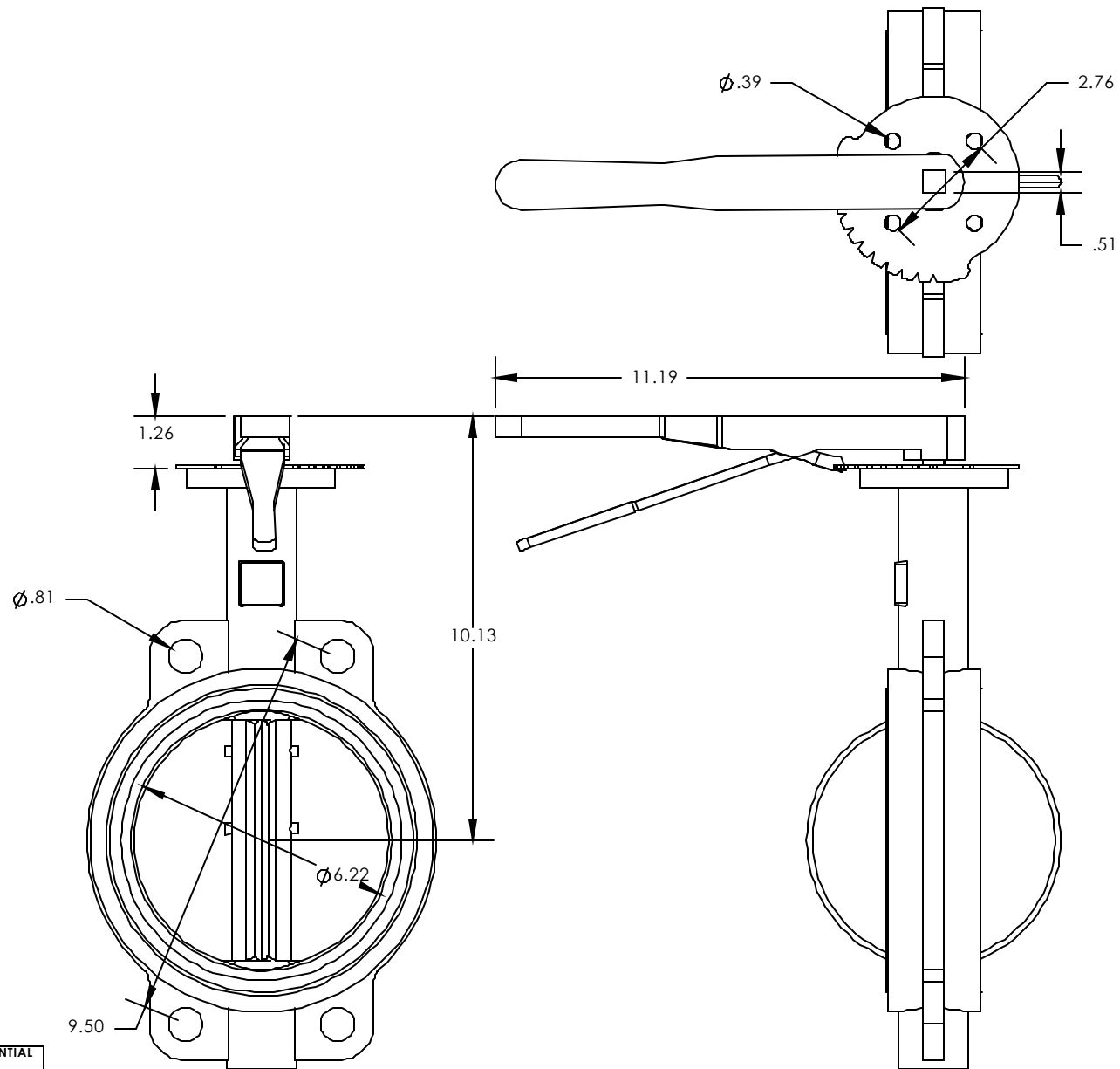


A B C D E F G H

REVISIONS			
REV.	DESCRIPTION	DATE	APPROVED



PROPRIETARY AND CONFIDENTIAL
 THE INFORMATION CONTAINED IN THIS DRAWING IS THE SOLE PROPERTY OF ELITE VALVE CANADA. ANY REPRODUCTION IN PART OR AS A WHOLE WITHOUT THE WRITTEN PERMISSION OF ELITE VALVE CANADA IS PROHIBITED.

DRAWN	NAME	DATE	DESCRIPTION:	DWG. NO.
JBW		JUNE 11, 201	E8400 6" BUTTERFLY VALVE	A42111123
CHECKED			MATERIAL: DI BODY, 316SS DISC	WEIGHT: #
			CUSTOMER:	SUPPLIER:

A B C D E F G H