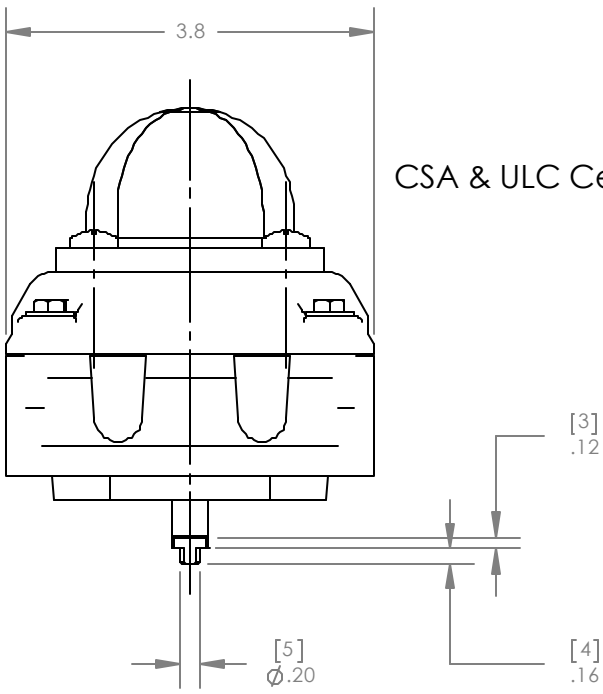
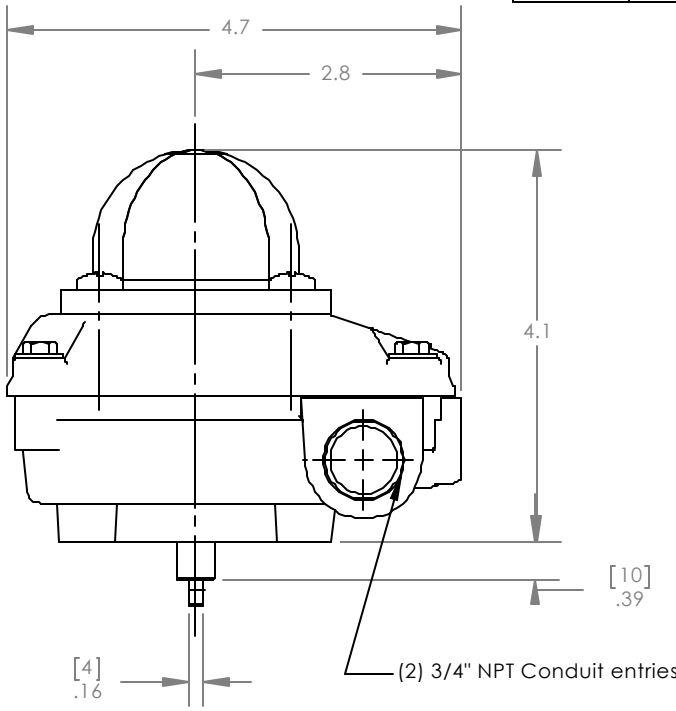


REVISIONS			
REV.	DESCRIPTION	DATE	APPROVED
A1	INITIALLY DRAWN	5/08/2008	J. WALKER



CSA & ULC Certified NEMA 4/4x

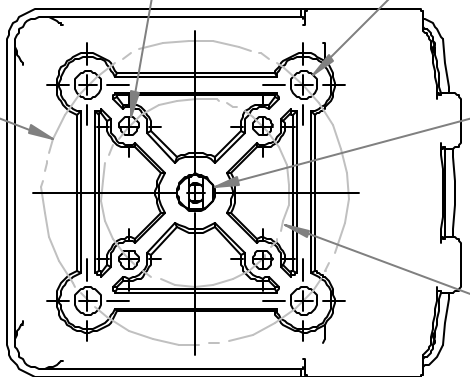
M6X1.0 ∇ .47
TYP. 4

Ø.28 ∇ .32

Ø3.17

[10] Ø.39

[50] Ø1.97



PROPRIETARY AND CONFIDENTIAL
THE INFORMATION CONTAINED IN THIS DRAWING IS THE SOLE PROPERTY OF ELITE VALVE CANADA. ANY REPRODUCTION IN PART OR AS A WHOLE WITHOUT THE WRITTEN PERMISSION OF ELITE VALVE CANADA IS PROHIBITED.

DRAWN		NAME	DATE	DESCRIPTION:	DWG. NO.
CHECKED		J. WALKER	MAY 8/08	E850 SERIES SCORPION LIMIT SWITCH	60220252
		MATERIAL: N / A		WEIGHT: #	SHEET 1 OF 1
		CUSTOMER: N / A		SUPPLIER: N / A	SCALE: 1:2
					REV: A1