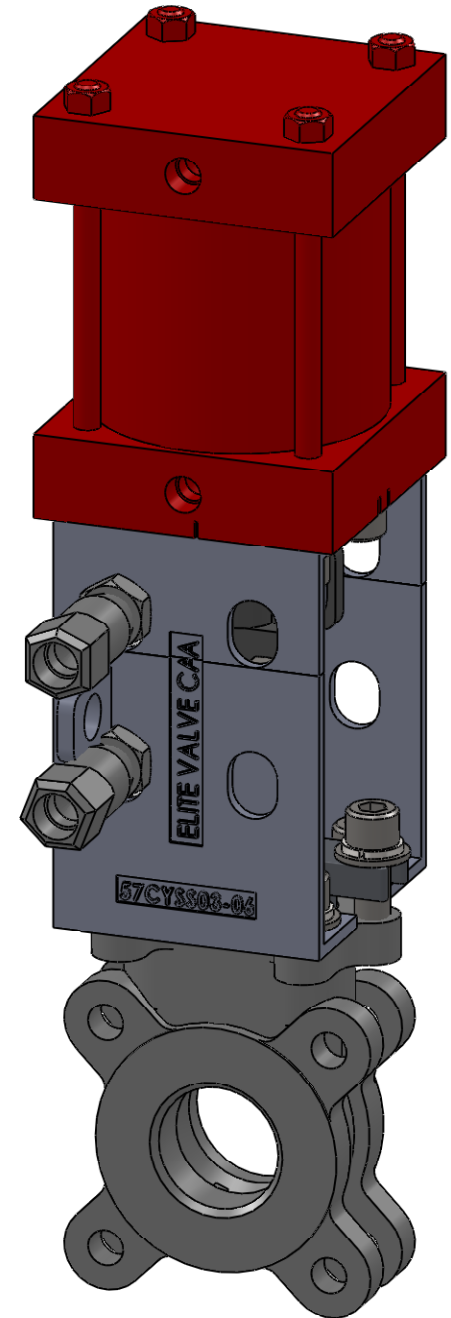
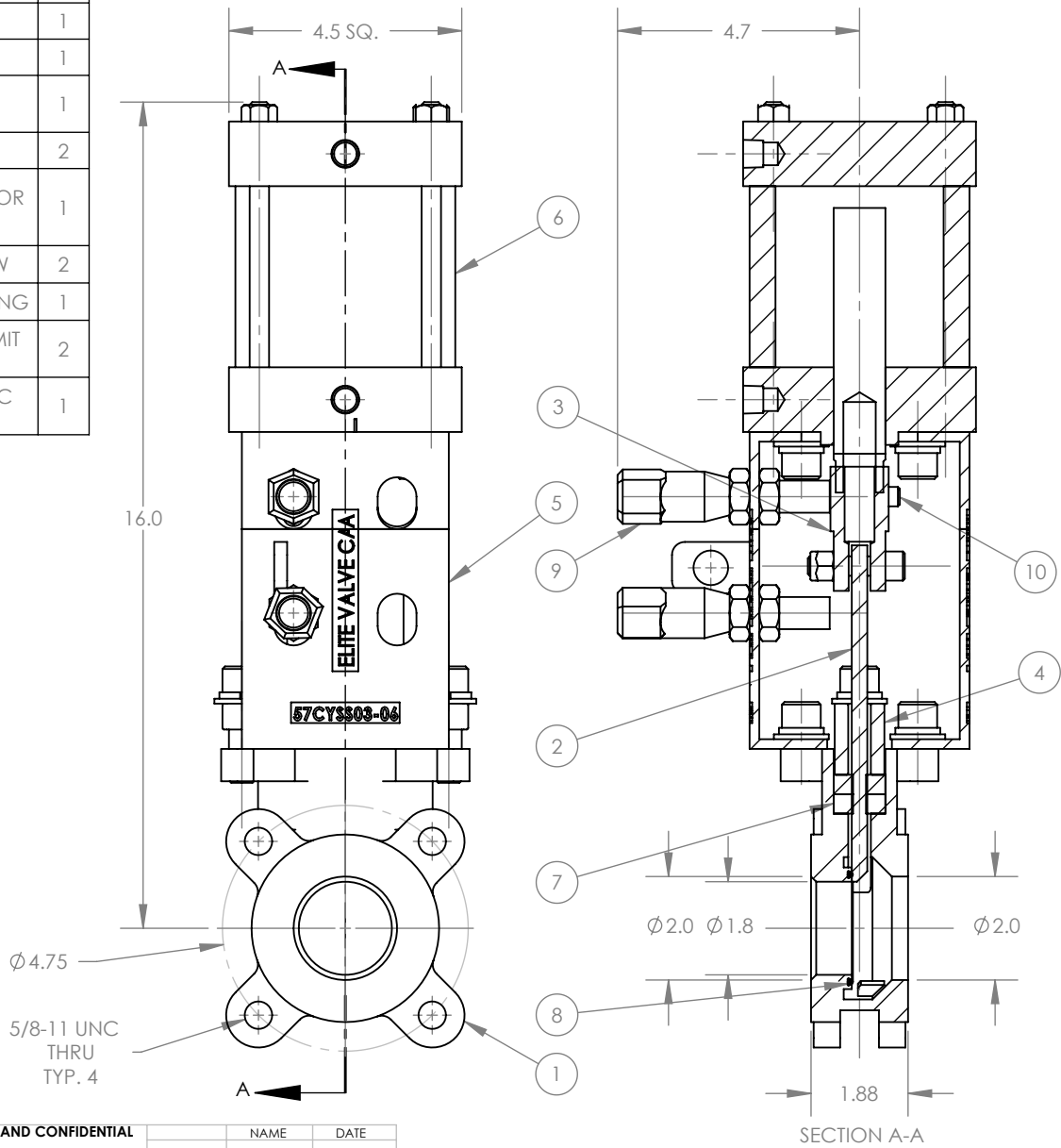


ITEM NO.	DESCRIPTION	QTY.
1	E5500 2" MACHINED VALVE BODY	1
2	GATE (2")	1
3	#1 CLEVIS	1
4	PACKING GLAND FOLLOWER (2")	1
5	YOKE PLATE (2")	2
6	PNEUMATIC CYLINDER FOR 2" KNIFE GATE VALVE	1
7	3/8" SQ. PACKING ROW	2
8	#136 RESILIENT SEAT O-RING	1
9	DPDT BOLT STYLE GO LIMIT SWITCH	2
10	LIMIT SWITCH MAGNETIC TARGET BOLT	1

REVISIONS			
REV.	DESCRIPTION	DATE	APPROVED
A1	INITIAL DESIGN	9/18/2008	



PROPRIETARY AND CONFIDENTIAL
 THE INFORMATION CONTAINED IN THIS DRAWING IS THE SOLE PROPERTY OF ELITE VALVE CANADA. ANY REPRODUCTION IN PART OR AS A WHOLE WITHOUT THE WRITTEN PERMISSION OF ELITE VALVE CANADA IS PROHIBITED.

	NAME	DATE
DRAWN	B. VOS	SEPT 18/08
CHECKED		
ENG APPR.		
MFG APPR.		
Q.A.		

DESCRIPTION: E5500 2" CYLINDER ACTUATED RESILIENT SEATED KNIFE GATE VALVE ASSEMBLY WITH LIMIT SWITCHES		DWG. NO. 60220497	
MATERIAL:	WEIGHT: #	SHEET 1 OF 1	SCALE:2:7
CUSTOMER:	SUPPLIER:		REV: A1