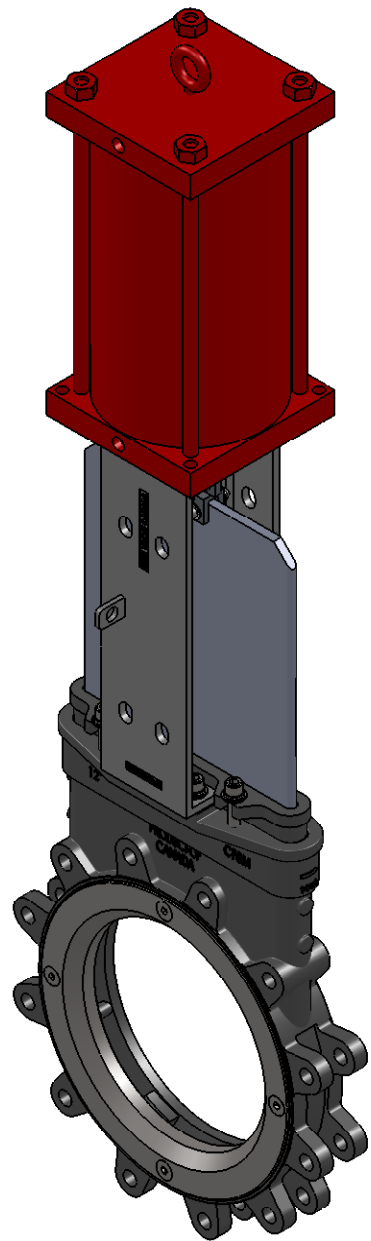
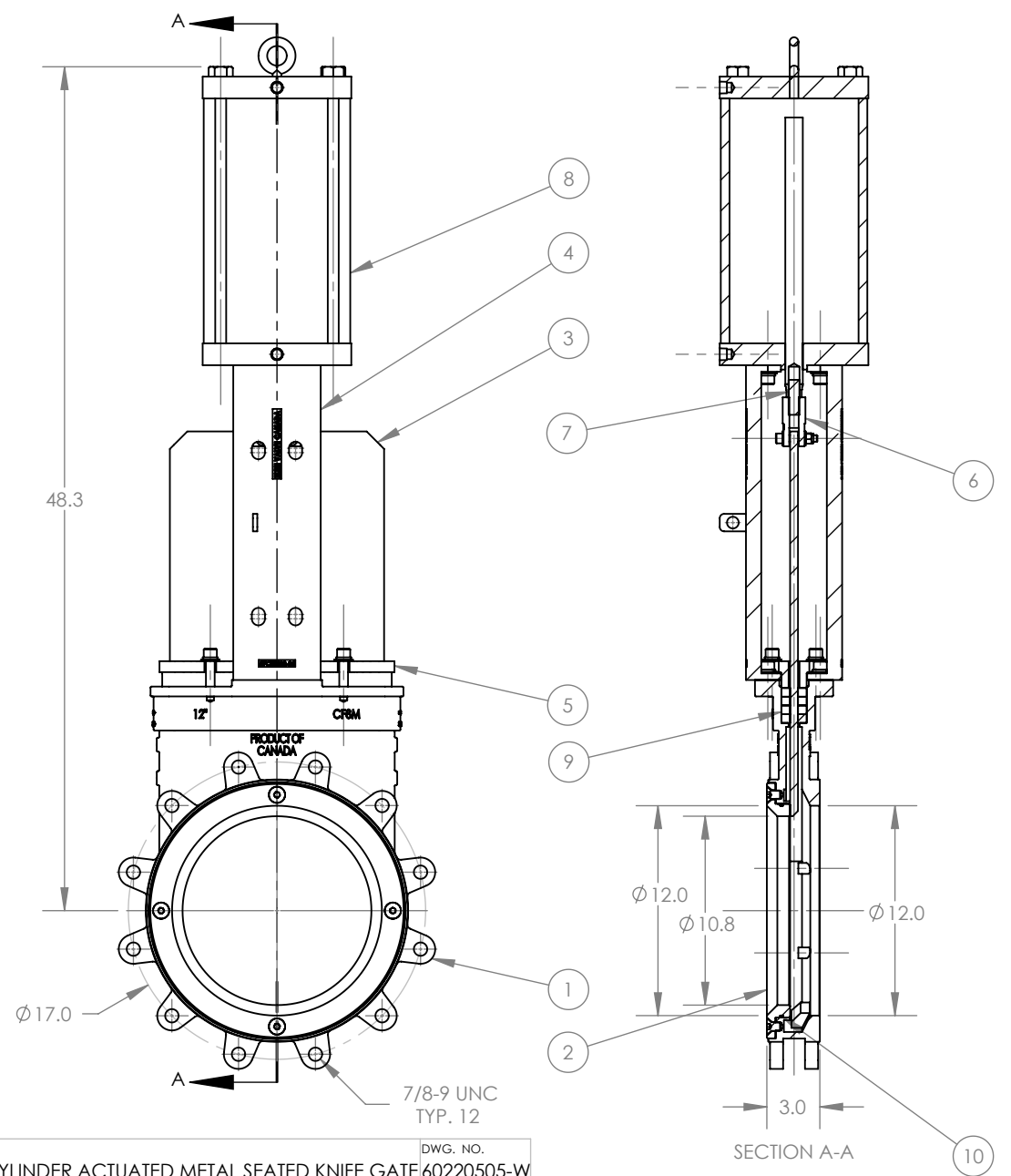


ITEM NO.	DESCRIPTION	QTY
1	E5700 MACHINED VALVE BODY (12")	1
2	E5700 MACHINED SEAT RING (12")	1
3	GATE (12")	1
4	YOKE PLATE (12")	2
5	PACKING GLAND FOLLOWER (12")	1
6	NO. 2 CLEVIS	1
7	THREADED CYLINDER COUPLING	1
8	PNEUMATIC CYLINDER (12")	1
9	5/8" SQ. PACKING ROW	4
10	STATIC SEAL O-RING	1



REVISIONS			
REV.	DESCRIPTION	DATE	APPROVED
A1	INITIAL DESIGN	10/01/2008	



PROPRIETARY AND CONFIDENTIAL
 THE INFORMATION CONTAINED IN THIS DRAWING IS THE SOLE PROPERTY OF ELITE VALVE CANADA. ANY REPRODUCTION IN PART OR AS A WHOLE WITHOUT THE WRITTEN PERMISSION OF ELITE VALVE CANADA IS PROHIBITED.

	NAME	DATE
DRAWN	B. VOS	OCT 1/08
CHECKED	J. WALKER	OCT 1/08
ENG APPR.	J. WALKER	OCT 1/08
MFG APPR.		
Q.A.		

DESCRIPTION: E5700 12" CYLINDER ACTUATED METAL SEATED KNIFE GATE VALVE ASSEMBLY
 DWG. NO. 60220505-W
 MATERIAL: PER CUST. REQ. WEIGHT: # SHEET 1 OF 1 SCALE: 1:10
 CUSTOMER: N / A SUPPLIER: N / A REV: A1