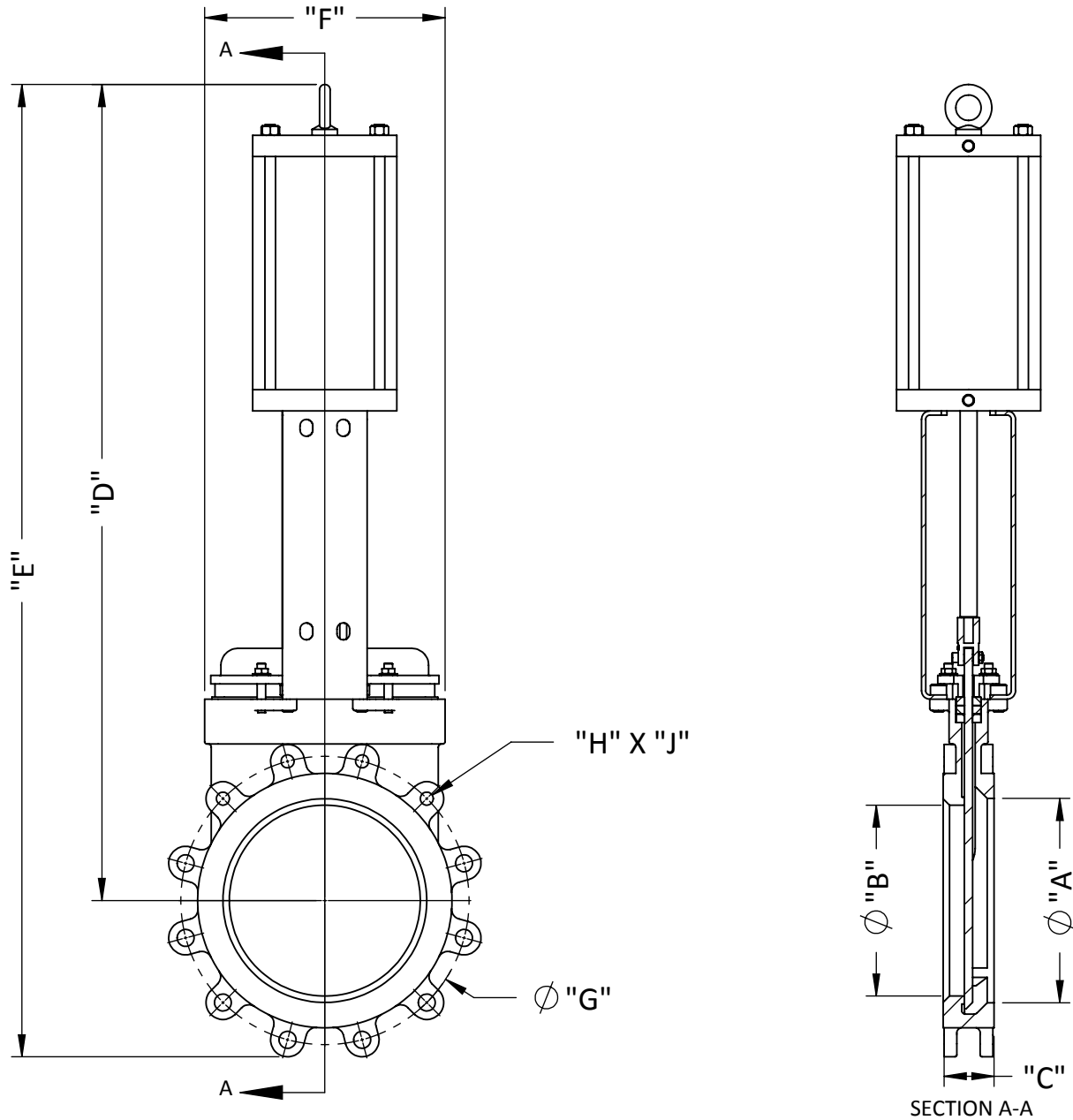


VALVE	A	B	C	D	E	F	G	H	J - U.N.C.
3	3.00	2.70	2.00	19.38	22.00	6.50	6.00	4	5/8"-11
4	4.00	3.60	2.00	21.50	25.63	7.00	7.50	8	5/8"-11
6	6.00	5.40	2.25	27.75	32.75	10.00	9.50	8	3/4"-10
8	8.00	7.20	2.75	36.25	42.00	12.50	11.75	8	3/4"-10
10	10.00	9.00	2.75	43.00	50.25	13.75	11.75	12	7/8"-9
12	12.00	10.80	3.00	50.00	59.00	18.00	17.00	12	7/8"-9



A	INITIAL RELEASE	DCN	3/29/2016
REV.	DESCRIPTION	DRAWN	DATE

REVISIONS

UNLESS OTHERWISE SPECIFIED		THIRD ANGLE PROJECTION		BY ACCEPTANCE OF THIS DRAWING, THE BEARER AGREES TO THESE CONDITIONS.	
INTERPRET DIMENSIONS AND TOLERANCES PER ASME Y14.5M-1994 ALL DIMENSIONS SHOWN APPLY AFTER PLATING AND COATING TOLERANCES APPLY AS SHOWN BELOW				THE INFORMATION CONTAINED IN THIS DRAWING IS CONFIDENTIAL AND PROPRIETARY AND REMAINS THE EXCLUSIVE PROPERTY OF ELITE VALVE CANADA. THIS DRAWING MAY NOT BE USED, REPRODUCED IN WHOLE OR IN PART, NOR REVEALED TO OTHERS WITHOUT THE WRITTEN CONSENT OF ELITE VALVE CANADA.	
FRACTIONS	± 1/32	NONE	± .02	DRAWN BY:	D.C.N. 29 MAR 16
ANGLES	± .1°	.X	± 0.1	CHECKED BY:	-
SURFACE FINISH	32 ✓	.XX	± .01	SIZE A	SCALE: 1:10
UOM	INCH	.XXX	± .005	WEIGHT:	232.47 LBS

2305 WYECROFT RD.
OAKVILLE, ON, L6L 6R2
TEL: 519.756.3100
FAX: 519.756.3663

EliteValve
www.elitevalve.com

DWG NAME: **E5000 W/CYLINDER**
DWG NO.: **E5000-CYL-DIMS**

REV. **A**

SIZE A SCALE: 1:10 WEIGHT: 232.47 LBS SHEET 1 OF 1