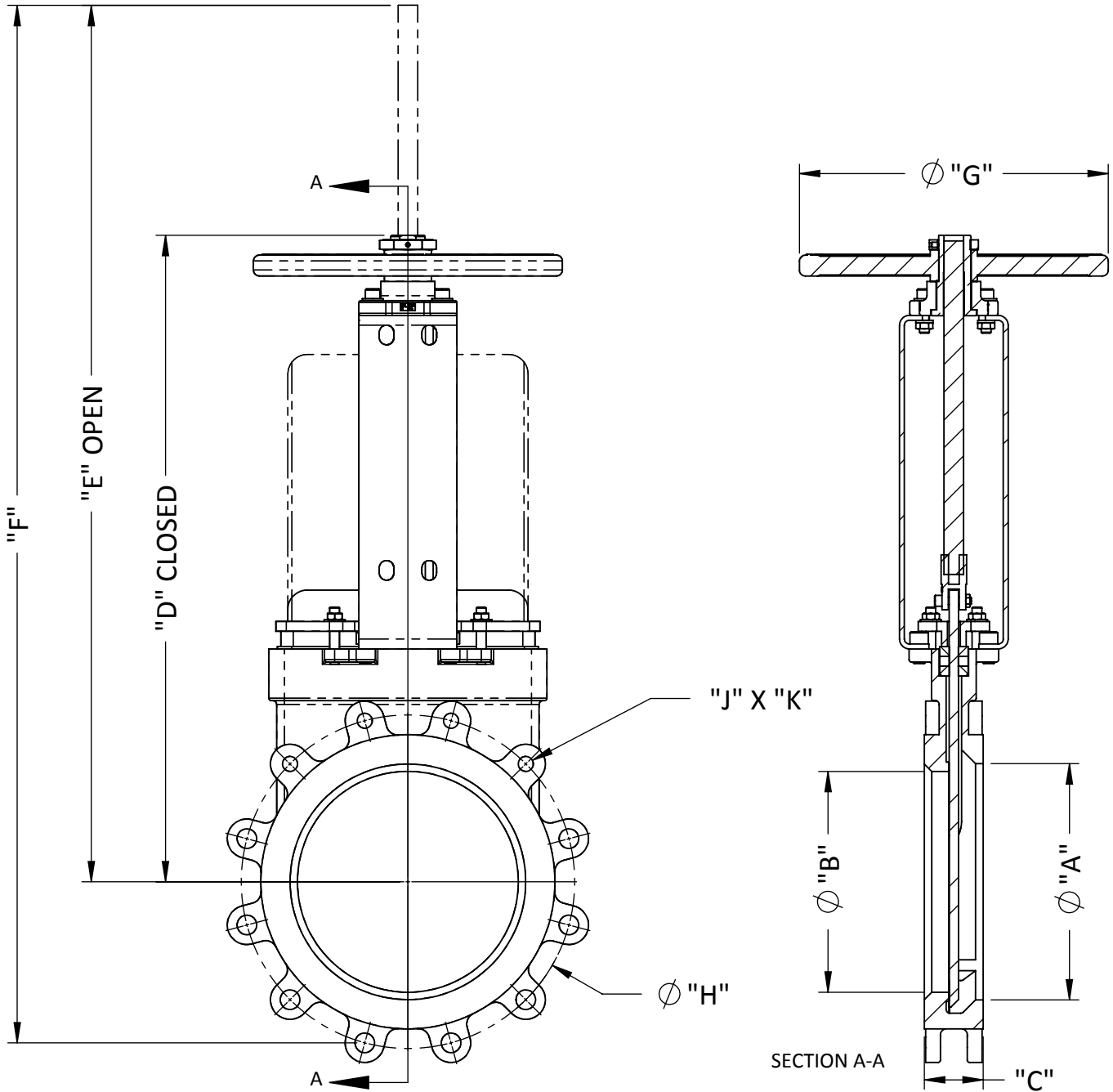


| VALVE | A | B | C | D | E | F | G | H | J | K - U.N.C. |
|-------|-------|-------|------|-------|-------|-------|-------|-------|----|------------|
| 3 | 3.00 | 2.70 | 2.00 | 13.63 | 16.88 | 19.63 | 9.75 | 6.00 | 4 | 5/8"-11 |
| 4 | 4.00 | 3.60 | 2.00 | 16.25 | 20.50 | 24.50 | 9.75 | 7.50 | 8 | 5/8"-11 |
| 6 | 6.00 | 5.40 | 2.25 | 19.00 | 25.25 | 30.25 | 9.75 | 9.50 | 8 | 3/4"-10 |
| 8 | 8.00 | 7.20 | 2.75 | 24.50 | 32.63 | 39.00 | 15.75 | 11.75 | 8 | 3/4"-10 |
| 10 | 10.00 | 9.00 | 2.75 | 29.00 | 38.88 | 46.50 | 15.75 | 11.75 | 12 | 7/8"-9 |
| 12 | 12.00 | 10.80 | 3.00 | 36.25 | 46.50 | 55.50 | 15.75 | 17.00 | 12 | 7/8"-9 |



| | | | |
|-----------|-----------------|-------|-----------|
| A | INITIAL RELEASE | DCN | 3/29/2016 |
| REV. | DESCRIPTION | DRAWN | DATE |
| REVISIONS | | | |

| | | | | | | |
|--|--------|------|--|--|---|---|
| <small>UNLESS OTHERWISE SPECIFIED</small> <small>INTERPRET DIMENSIONS AND TOLERANCES PER ASME Y14.5M-1994</small> <small>ALL DIMENSIONS SHOWN APPLY AFTER PLATINGS AND COATING TOLERANCES APPLY AS SHOWN BELOW</small> | | | <small>THE INFORMATION CONTAINED IN THIS DRAWING IS CONFIDENTIAL AND PROPRIETARY AND REMAINS THE EXCLUSIVE PROPERTY OF ELITE VALVE CANADA. THIS DRAWING MAY NOT BE USED, REPRODUCED IN WHOLE OR IN PART, NOR REVEALED TO OTHERS WITHOUT THE WRITTEN CONSENT OF ELITE VALVE CANADA.</small> <small>BY ACCEPTANCE OF THIS DRAWING, THE BEARER AGREES TO THESE CONDITIONS.</small> | | EliteValve <small>2305 WYECROFT RD. OAKVILLE, ON, L6L 6R2</small> <small>TEL: 519.756.3100</small> <small>FAX: 519.756.3663</small> | |
| FRACTIONS | ± 1/32 | NONE | ± .02 | DRAWN BY: | D.C.N. | 30 MAR 16 |
| ANGLES | ± .1° | .X | ± 0.1 | CHECKED BY: | - | - |
| SURFACE FINISH | 32 ✓ | .XX | ± .01 | SIZE A | SCALE: 1:8 | WEIGHT: 157.38 LBS |
| UOM | INCH | .XXX | ± .005 | E5000 W/HANDWHEEL E5000-HW-DIMS | | <small>DWG NAME:</small> <small>DWG NO.:</small> |
| | | | | | | <small>REV.:</small> A |
| | | | | | | <small>SHEET 1 OF 1</small> |