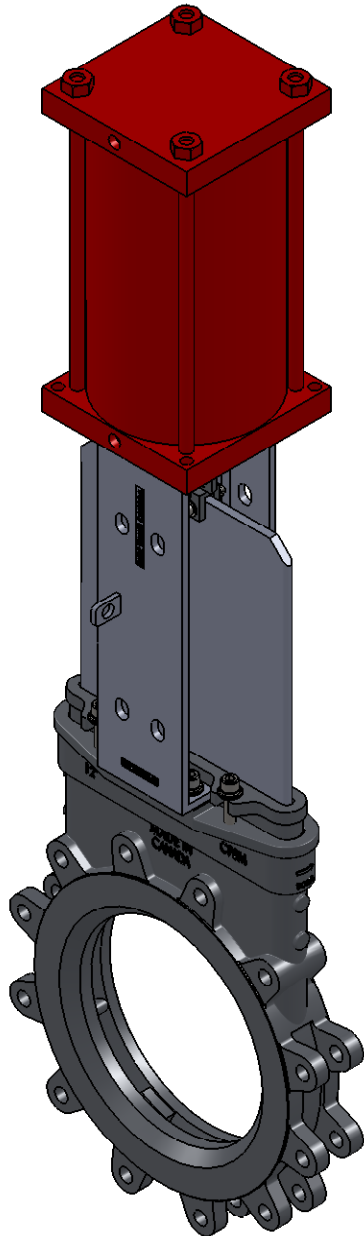
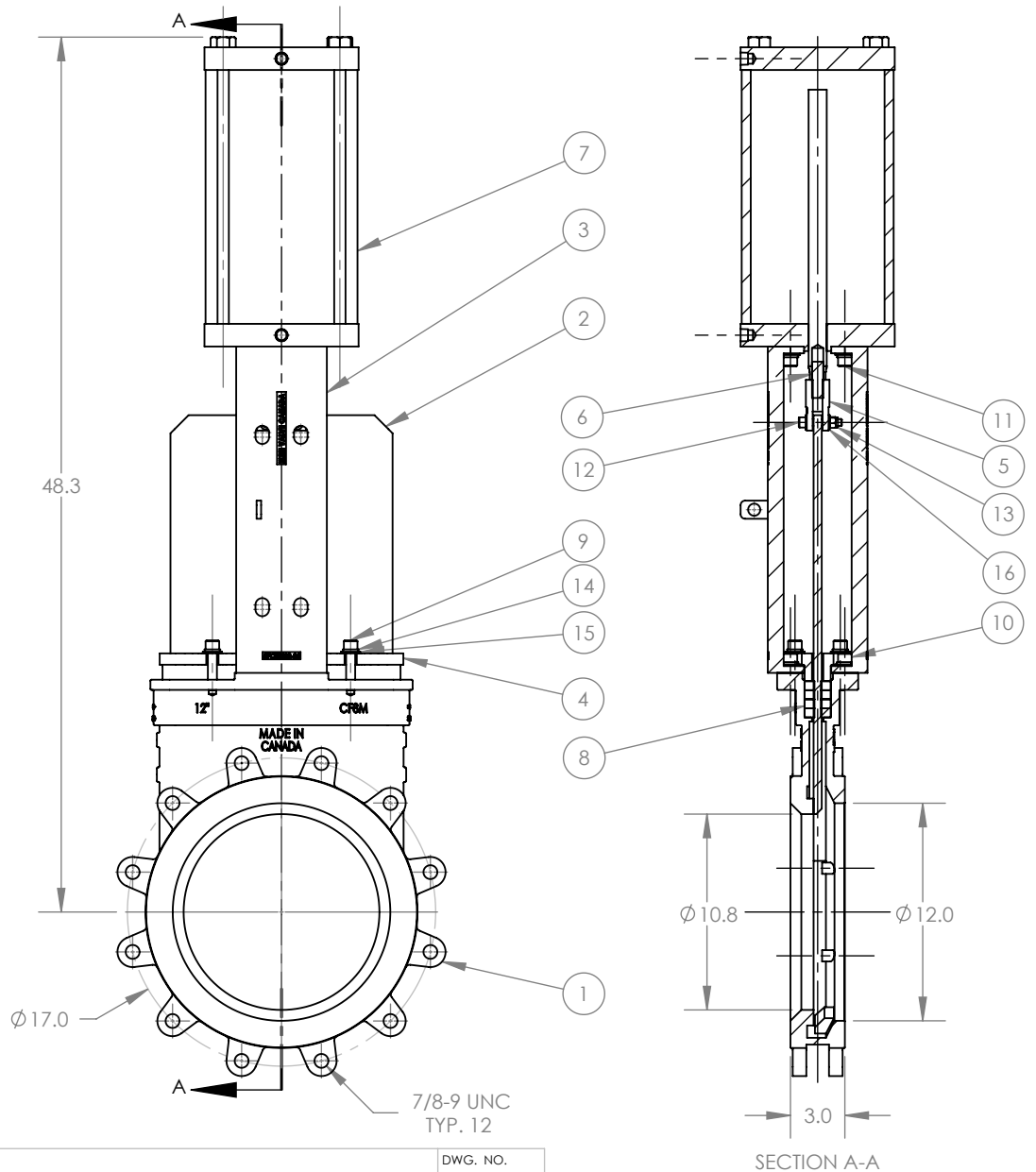


ITEM NO.	DESCRIPTION	QTY
1	E5500 MACHINED VALVE BODY (12")	1
2	GATE (12")	1
3	YOKE PLATE (12")	2
4	PACKING GLAND FOLLOWER (12")	1
5	NO. 2 CLEVIS	1
6	THREADED CYLINDER COUPLING	1
7	PNEUMATIC CYLINDER (12")	1
8	5/8" SQ. PACKING ROW	4
9	1/2-13 UNC X 2-1/4" SOCKET HEAD CAP SCREW	4
10	1/2-13 UNC x 1 1/2" SOCKET HEAD CAP SCREW	4
11	1/2-13 UNC x 1-1/4" SOCKET HEAD CAP SCREW	4
12	3/8-16 UNC X 2 SOCKET HEAD CAP SCREW	2
13	3/8-16 UNC LOCK NUT	2
14	1/2" LOCK WASHER	12
15	1/2" FLAT WASHER	12
16	3/8" FLAT WASHER	4



REVISIONS			
REV.	DESCRIPTION	DATE	APPROVED
A1	INITIAL DESIGN	8/5/2008	



**PROPRIETARY AND CONFIDENTIAL**  
 THE INFORMATION CONTAINED IN THIS DRAWING IS THE SOLE PROPERTY OF ELITE VALVE CANADA. ANY REPRODUCTION IN PART OR AS A WHOLE WITHOUT THE WRITTEN PERMISSION OF ELITE VALVE CANADA IS PROHIBITED.

	NAME	DATE
DRAWN	B. VOS	AUG 5/08
CHECKED		
ENG APPR.		
MFG APPR.		
Q.A.		

DESCRIPTION: E5500 12" CYLINDER ACTUATED METAL SEATED KNIFE GATE VALVE ASSEMBLY		DWG. NO. 60220440	
MATERIAL: PER CUST. REQ.	WEIGHT: #	SHEET 1 OF 1	SCALE: 1:10
CUSTOMER:	SUPPLIER:	REV: A1	