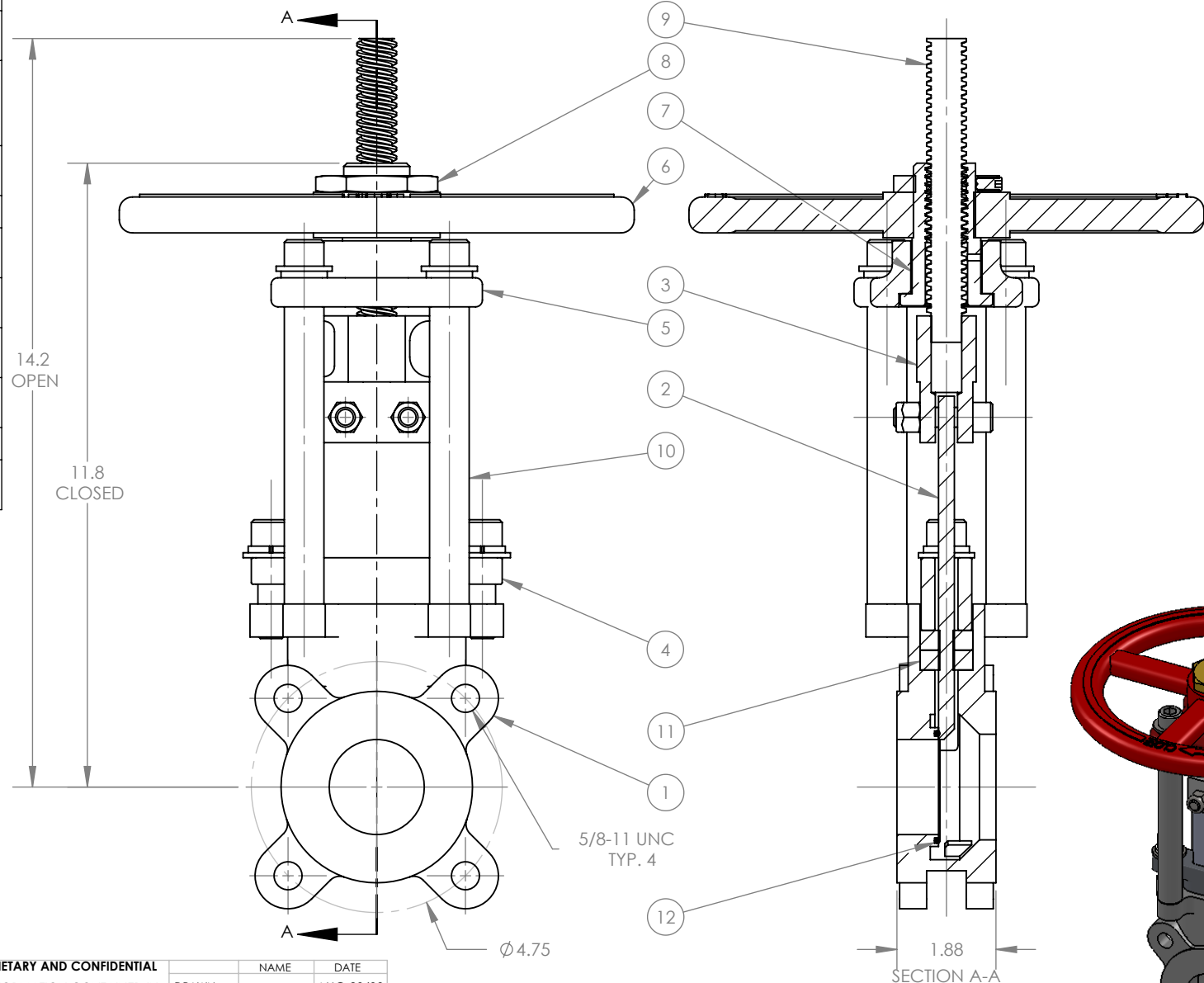


ITEM NO.	DESCRIPTION	QTY.
1	E5500 2" MACHINED VALVE BODY	1
2	2" FINISHED GATE	1
3	#1 CLEVIS	1
4	2" KNIFE GATE VALVE PACKING GLAND FOLLOWER	1
5	YOKE BONNET (2"-6")	1
6	HANDWHEEL (2"-6")	1
7	DRIVE BUSHING (2"-6")	1
8	DRIVE BUSHING NUT (2"-6")	1
9	3/4" ACME THREADED STEM	1
10	2" KNIFE GATE VALVE STANCHION	4
11	3/8" PACKING ROW (2")	2
12	RESILIENT SEAT O-RING	1

REVISIONS			
REV.	DESCRIPTION	DATE	APPROVED
A1	INITIAL DESIGN	8/20/2008	



**PROPRIETARY AND CONFIDENTIAL**  
 THE INFORMATION CONTAINED IN THIS DRAWING IS THE SOLE PROPERTY OF ELITE VALVE CANADA. ANY REPRODUCTION IN PART OR AS A WHOLE WITHOUT THE WRITTEN PERMISSION OF ELITE VALVE CANADA IS PROHIBITED.

	NAME	DATE
DRAWN	B. VOS	AUG 20/08
CHECKED		
ENG APPR.		
MFG APPR.		
Q.A.		

DESCRIPTION: E5500 2" HANDWHEEL OPERATED RESILIENT SEATED KNIFE GATE VALVE ASSEMBLY		DWG. NO. 60220464	
MATERIAL:	WEIGHT: #	SHEET 1 OF 1	SCALE:1:3
CUSTOMER:	SUPPLIER:		REV: A1