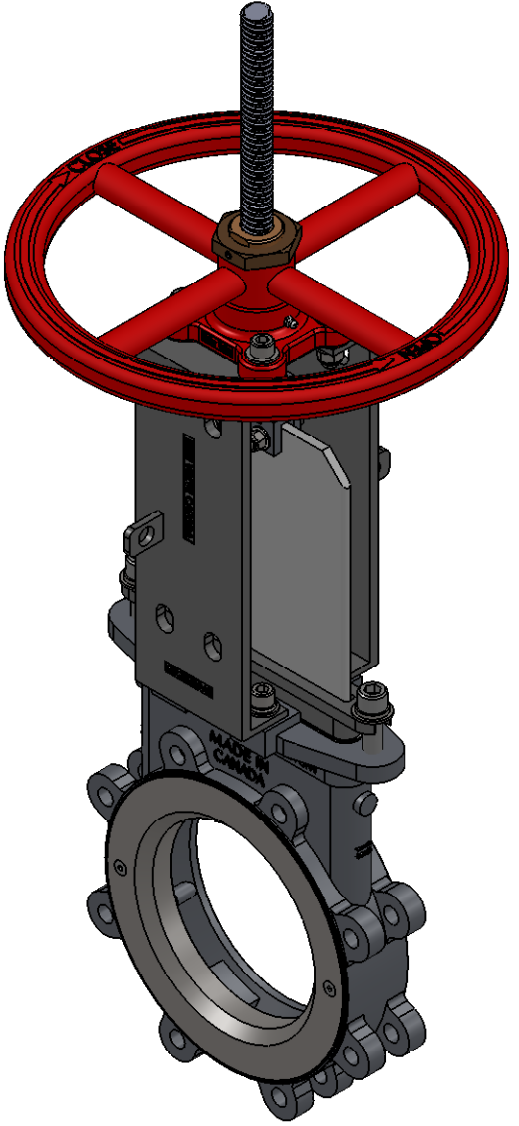
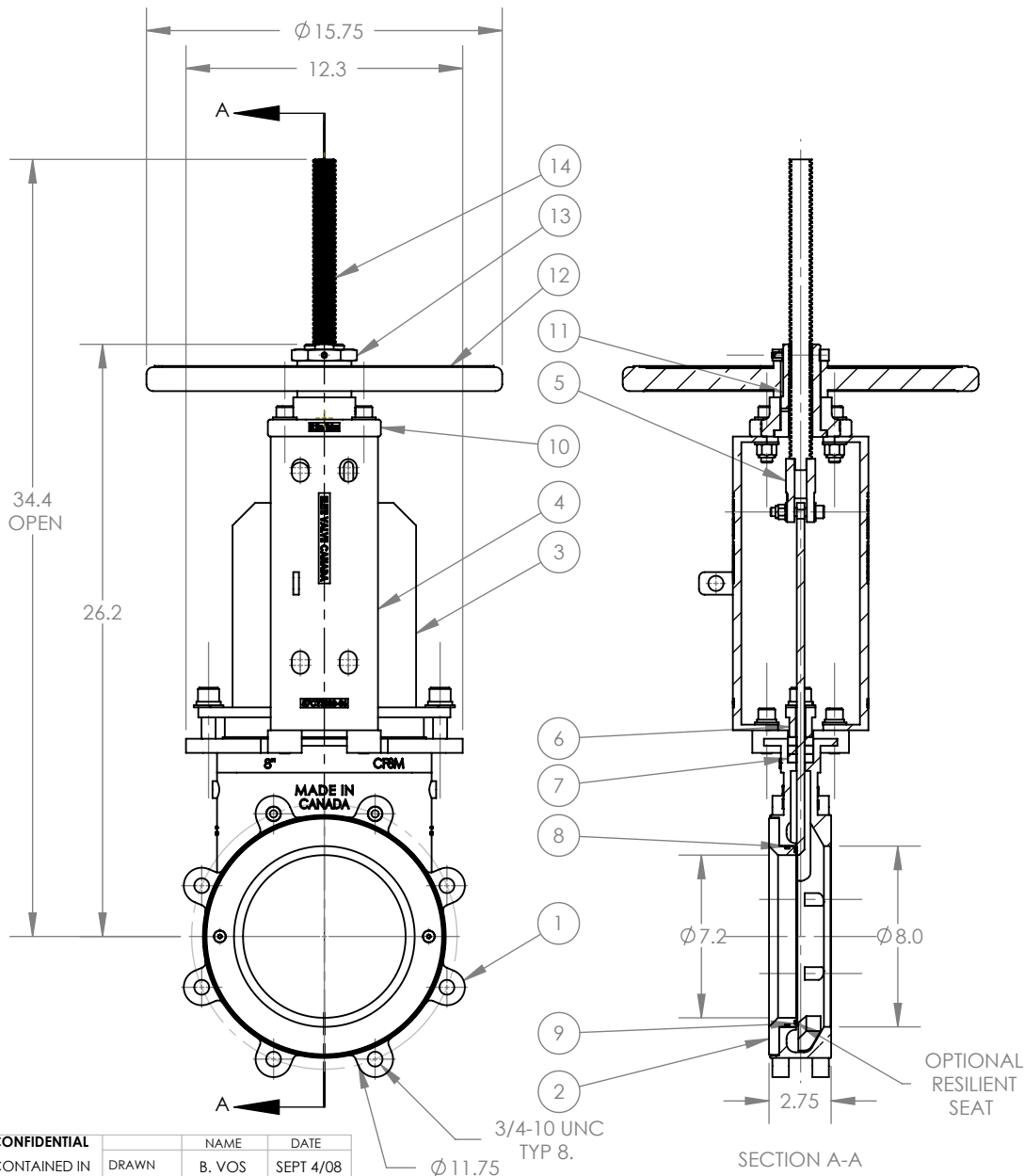


ITEM NO.	DESCRIPTION	QTY.
1	E5700 MACHINED VALVE BODY (8")	1
2	8" E5700 SEAT RING	1
3	GATE (8")	1
4	YOKE PLATE (8")	2
5	NO. 2 CLEVIS	1
6	PACKING GLAND FOLLOWER (8")	1
7	PACKING ROW	3
8	#265 STATIC SEAL O-RING	1
9	NO. 264 O-RING FOR RESILIENT SEAT	1
10	YOKE BONNET (8"-12")	1
11	DRIVE BUSHING (8"-12")	1
12	HANDWHEEL (8"-12")	1
13	DRIVE BUSHING NUT (8"-12")	1
14	ACME THREADED STEM	1

REVISIONS			
REV.	DESCRIPTION	DATE	APPROVED
A1	INITIAL DESIGN	9/4/2008	



PROPRIETARY AND CONFIDENTIAL
 THE INFORMATION CONTAINED IN THIS DRAWING IS THE SOLE PROPERTY OF ELITE VALVE CANADA. ANY REPRODUCTION IN PART OR AS A WHOLE WITHOUT THE WRITTEN PERMISSION OF ELITE VALVE CANADA IS PROHIBITED.

	NAME	DATE
DRAWN	B. VOS	SEPT 4/08
CHECKED		
ENG APPR.		
MFG APPR.		
Q.A.		

DESCRIPTION: E5700 8" HANDWHEEL OPERATED KNIFE GATE VALVE ASSEMBLY		DWG. NO. 60220472	
MATERIAL: PER CUST. REQ.	WEIGHT: #	SHEET 1 OF 1	SCALE: 1:8
CUSTOMER:	SUPPLIER:	REV: A1	