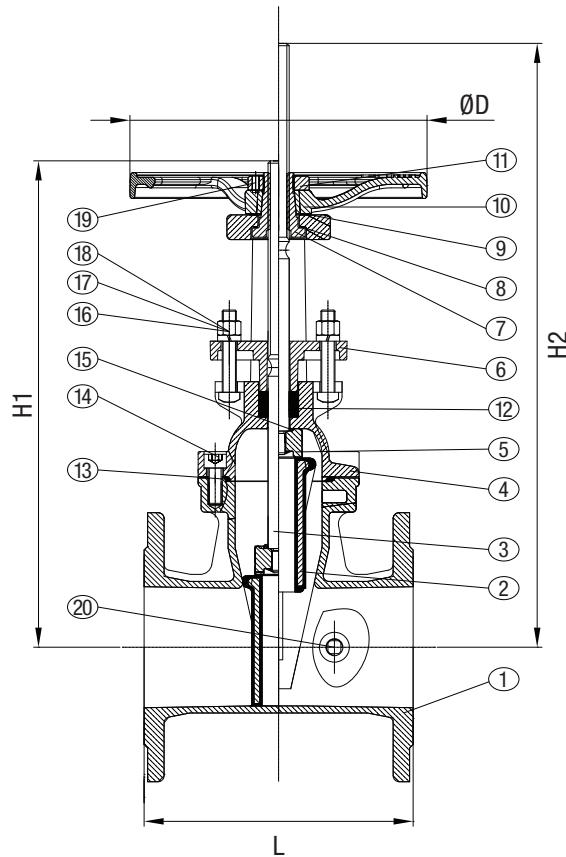
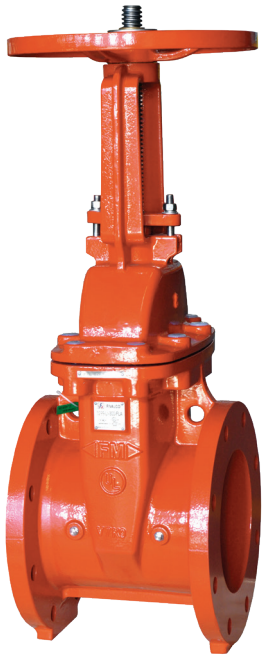


GTVAG-FDI3151-HW

300 PSI CWP | Ductile Iron Gate Valve

Ductile Iron Body | Flanged Ends | OS&Y Type | Lead Free



MATERIAL SPECIFICATIONS			
NO.	PART NAME	MATERIAL	STANDARD
1	Body	Ductile Iron	A536 65-45-12
2	Wedge Disc	EPDM	ASTM A536 65-45-12
3	Stem	Stainless Steel	AISI 304/302
4	Bonnet	Ductile Iron	A536 65-45-12
5	Disc Nut	-	ASTM A351 CF8
6	Gland	-	ASTM A536 65-45-12
7	Stem Nut	-	ASTM B62
8	Stem Nut Washer	-	ASTM B16
9	Handwheel Washer	-	ASTM B16
10	Handwheel	-	ASTM A536 65-45-12
11	Handwheel Nut	Carbon Steel Galvanization	-
12	Packing	PTFE	-
13	Gasket	EPDM	Commercial
14	Hex Screw	-	GR 8.8
15	O-Ring	EPDM	Commercial
16	Nut	Stainless Steel	ASTM SS304
17	Sq. Bolt	Stainless Steel	ASTM SS304
18	Spring Washer	Stainless Steel	ASTM SS304
19	Hex Screw	Stainless Steel	ASTM SS304
20	Plug	Stainless Steel	ASTM SS304

DIMENSIONS					
SIZE	L		H1	H2	ØD
inch	mm	inch	mm	mm	mm
2"	178	7.00	337	411	183
2½"	191	7.50	337	411	183
3"	203	8.00	376	462	253
4"	229	9.00	414	514	253
5"	254	10.00	497	629	306
6"	267	10.50	561	709	306
8"	292	11.50	714	922	355
10"	330	13.00	856	1116	445
12"	356	14.00	993	1300	445
14"	381	15.00	1205	1577	508
16"	406	16.00	1383	1800	558
18"	432	17.00	1574	2048	610
20"	457	18.00	1760	2297	610
24"	508	20.00	1978	2600	762

GTVAG-FDI3151-HW Product Description

300 PSI CWP fire protection gate valve, outside screw and yoke (OS&Y) design, epoxy coated ductile iron body, with ANSI Class 125 / 150 flanged ends, EPDM encapsulated resilient wedge, and stainless steel stem. NSF/ANSI 372 Certified lead free for potable water applications.

Working Pressure & Temperature

- 2"–12": 300 PSI Non-Shock Cold Working Pressure (CWP)
- 14"–18": 250 PSI Non-Shock CWP
- 20"–24": 200 PSI Non-Shock CWP
- -10°C–85°C

Standard

- Conforms to AWWA C515
- ANSI B16.10 class 125/150 face to face dimension
- Lead free certified to NSF/ANSI 372
- UL/ULC Listed and FM Approved
- Flange dimension conforms to ANSI/ASME B16.5 Class 125/150

© 2018 Elite Valve, Oakville, ON, Canada. All rights reserved. All valves information and its contents hereof are proprietary to Elite Valve. Any unauthorized reproduction or disclosure, in whole or in part is strictly prohibited. All valves materials, images and data sheets in this catalogue/brochure is for general information and shall not be used for specific performance data and material selection without first consulting with Elite Valve. Elite Valve reserves the right to change the enclosed valves information without notice. Elite Valve does not accept any liability or damages arising from the use of any valve information within this document. All trademarks and registered trademarks are owned by their respective companies.