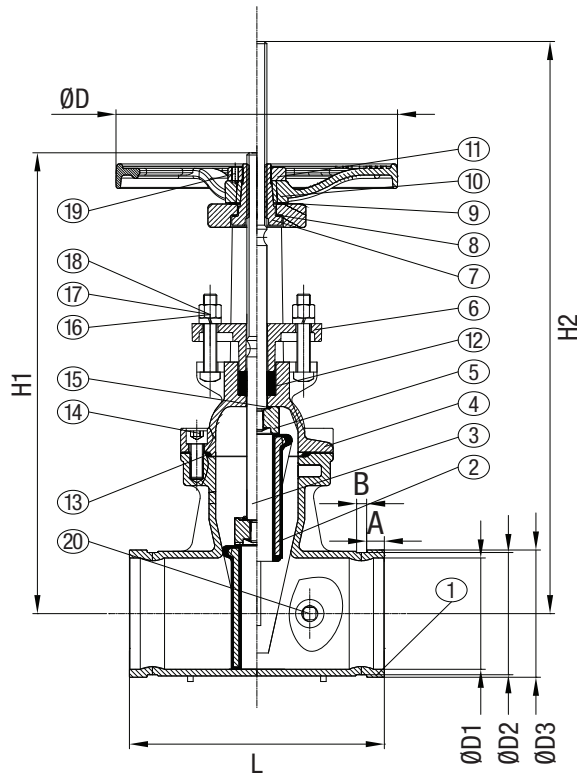


# 300 PSI CWP | Ductile Iron Gate Valve

Ductile Iron Body | Grooved Ends | OS&Y Type

# GTVAG-GDI3151-HW



MATERIAL SPECIFICATIONS			
NO.	PART NAME	MATERIAL	STANDARD
1	Body	Ductile Iron	A536 65-45-12
2	Wedge Disc	EPDM	ASTM A536 65-45-12
3	Stem	Stainless Steel	AISI 304/302
4	Bonnet	Ductile Iron	A536 65-45-12
5	Disc Nut	-	ASTM A351 CF8
6	Gland	-	ASTM A536 65-45-12
7	Stem Nut	-	ASTM B62
8	Stem Nut Washer	-	ASTM B16
9	Handwheel Washer	-	ASTM B16
10	Handwheel	-	ASTM A536 65-45-12
11	Handwheel Nut	Carbon Steel Galvanization	-
12	Packing	PTFE	-
13	Gasket	EPDM	Commercial
14	Hex Screw	-	GR 8.8
15	O-Ring	EPDM	Commercial
16	Nut	Stainless Steel	ASTM SS304
17	Sq. Bolt	Stainless Steel	ASTM SS304
18	Spring Washer	Stainless Steel	ASTM SS304
19	Hex Screw	Stainless Steel	ASTM SS304
20	Plug	Stainless Steel	ASTM SS304

### GTVAG-FDI3151-HW Product Description

300 PSI CWP fire protection gate valve, outside screw and yoke (OS&Y) design, epoxy coated ductile iron body, with grooved ends designed to AWWA C606, EPDM encapsulated resilient wedge, and stainless steel stem.

### Working Pressure & Temperature

- 2"–12": 300 PSI Non-Shock Cold Working Pressure (CWP)
- -10°C–85°C

### Standard

- Conforms to AWWA C515
- Grooved ends conform to AWWA C606
- UL/ULC Listed and FM Approved

DIMENSIONS										
SIZE	L		H1	H2	ØD	A	B	ØD1	ØD2	ØD3
inch	mm	inch	mm	mm	mm	mm	mm	mm	mm	mm
2"	178	7.00	337	411	183	15.9	8	50	57	60.3
2½"	191	7.50	337	411	183	15.9	8	65	68.9	73
3"	203	8.00	376	462	253	15.9	8	80	84.7	88.9
4"	229	9.00	414	514	253	15.9	9.5	100	109.8	114.3
5"	254	10.00	497	629	306	15.9	9.5	125	136.8	141.3
6"	267	10.50	561	709	306	15.9	9.5	150	163.7	168.3
8"	292	11.50	714	922	355	19	11	200	214.1	219.1
10"	330	13.00	856	1116	445	19	12.7	250	268	273
12"	356	14.00	993	1300	445	19	12.7	300	317.9	323.9

© 2018 Elite Valve, Oakville, ON, Canada. All rights reserved. All valves information and its contents hereof are proprietary to Elite Valve. Any unauthorized reproduction or disclosure, in whole or in part is strictly prohibited. All valves materials, images and data sheets in this catalogue/brochure is for general information and shall not be used for specific performance data and material selection without first consulting with Elite Valve. Elite Valve reserves the right to change the enclosed valves information without notice. Elite Valve does not accept any liability or damages arising from the use of any valve information within this document. All trademarks and registered trademarks are owned by their respective companies.