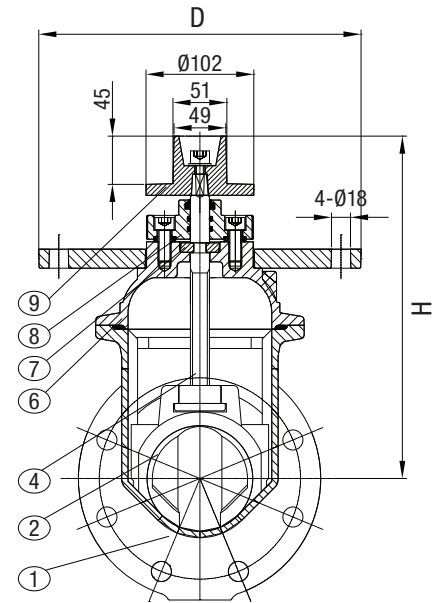
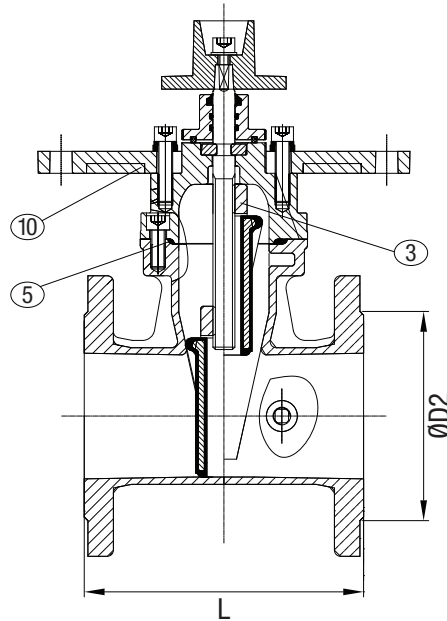


GTVBG-FDI3151-SN

300 PSI CWP | Ductile Iron Gate Valve

Ductile Iron Body | Flanged Ends | N.R.S. Type | Lead Free



GTVBG-FDI-5151-SN Product Description

300 PSI CWP fire protection gate valve, non-rising stem design, epoxy coated ductile iron body, with ANSI Class 125 / 150 flanged ends, EPDM encapsulated resilient wedge, and stainless steel stem. NSF/ANSI 372 Certified lead free for potable water applications.

Working Pressure & Temperature

- 2"–12": 300 PSI Non-Shock Cold Working Pressure (CWP)
- 14"–18": 250 PSI Non-Shock CWP
- 20"–24": 200 PSI Non-Shock CWP
- -10°C–85°C

Standard

- Conforms to AWWA C515
- ANSI B16.10 class 125/150 face to face dimension
- Lead free certified to NSF/ANSI 372
- UL/ULC Listed and FM Approved
- Flange dimension conforms to ANSI/ASME B16.5 Class 125/150

DIMENSIONS						
SIZE	L		H		D	
inch	mm	inch	mm	inch	mm	inch
2"	178	7.00	279	10.98	305	12.01
2½"	191	7.50	279	10.98	305	12.01
3"	203	8.00	305	12.01	305	12.01
4"	229	9.00	324	12.76	305	12.01
5"	254	10.00	394	15.51	305	12.01
6"	267	10.50	428	16.85	305	12.01
8"	292	11.50	537	21.14	305	12.01
10"	330	13.00	640	25.20	305	12.01
12"	356	14.00	723	28.46	305	12.01
14"	381	15.00	862	33.94	305	12.01
16"	406	15.98	938	36.93	305	12.01
18"	432	17.01	1057	41.61	305	12.01
20"	457	17.99	1142	44.96	305	12.01
24"	508	20.00	1295	50.98	305	12.01

MATERIAL SPECIFICATIONS			
NO.	PART NAME	MATERIAL	STANDARD
1	Body	Ductile Iron	A536 65-45-12
2	Wedge Disc	Ductile Iron EPDM Coated	-
3	Disc Nut	Bronze	ASTM B62
4	Stem	Stainless Steel	AISI 304/302
5	Gasket	EPDM	Commercial
6	Bonnet	Ductile Iron	A536 65-45-12
7	Thrust Collar	Bronze	ASTM B62
8	Gland	Ductile Iron	A536 65-45-12
9	Wrench Nut	Ductile Iron	A536 65-45-12
10	Post Plate	Ductile Iron	A536 65-45-12

© 2018 Elite Valve, Oakville, ON, Canada. All rights reserved. All valves information and its contents hereof are proprietary to Elite Valve. Any unauthorized reproduction or disclosure, in whole or in part is strictly prohibited. All valves materials, images and data sheets in this catalogue/brochure is for general information and shall not be used for specific performance data and material selection without first consulting with Elite Valve. Elite Valve reserves the right to change the enclosed valves information without notice. Elite Valve does not accept any liability or damages arising from the use of any valve information within this document. All trademarks and registered trademarks are owned by their respective companies.