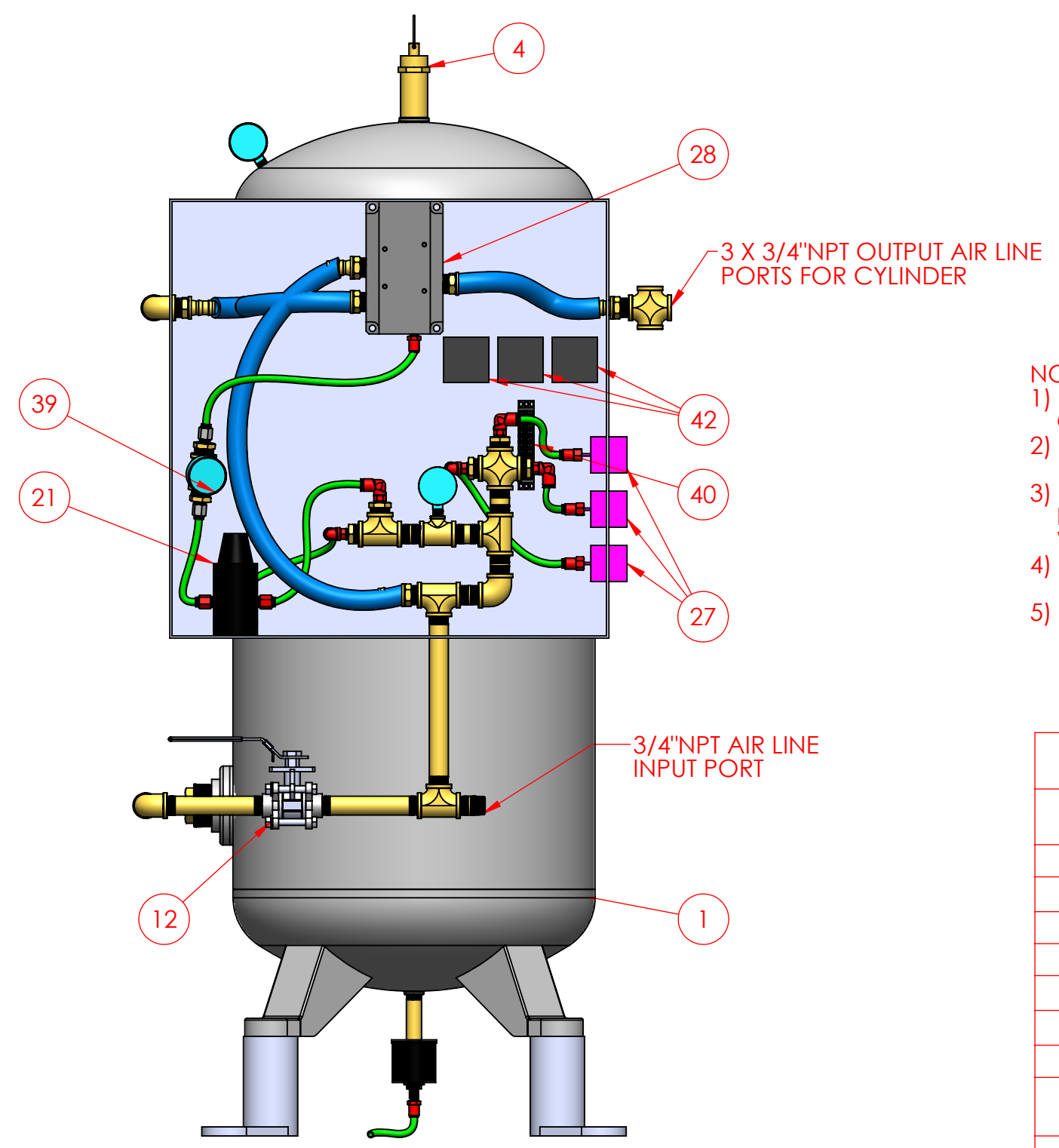
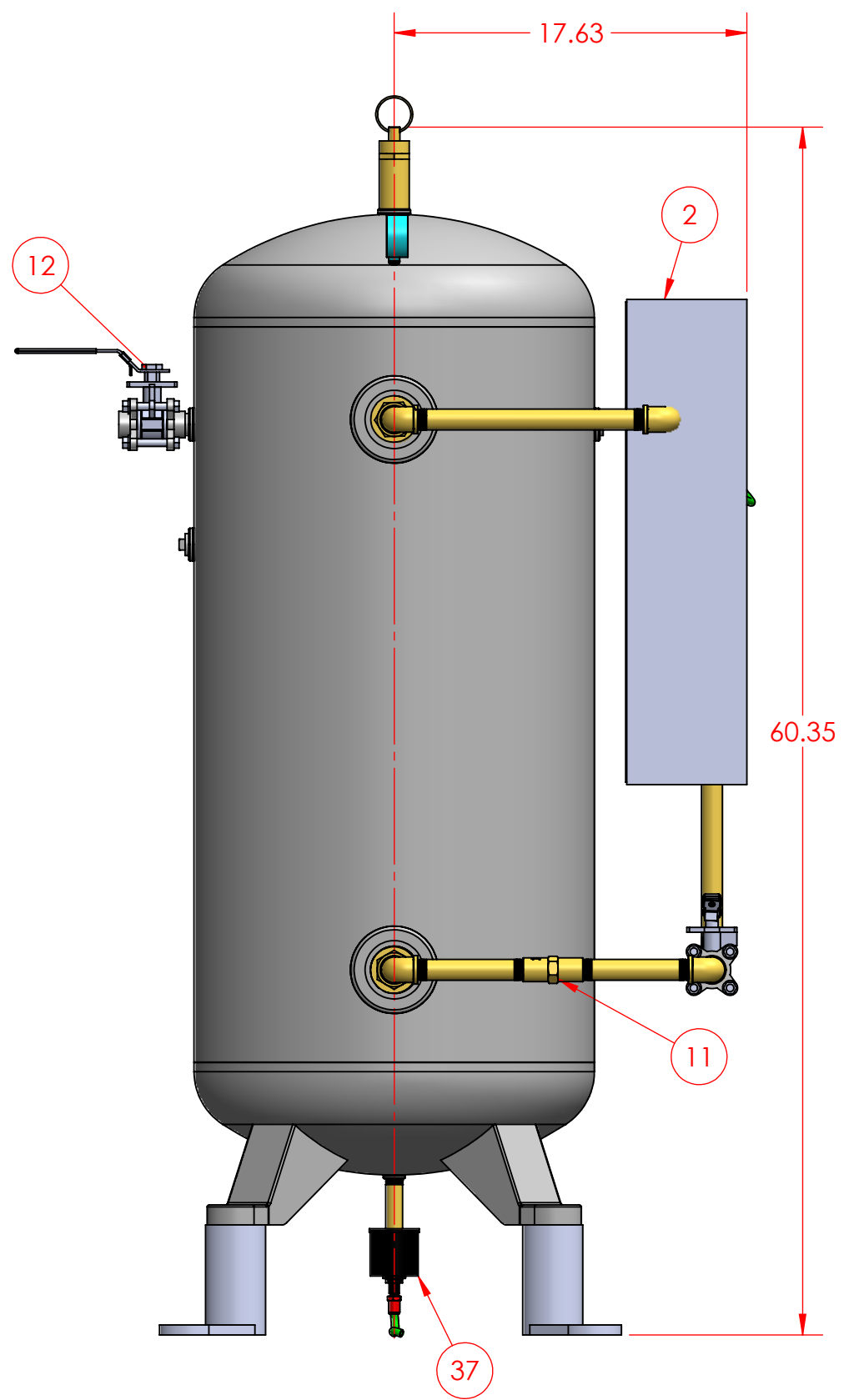


REVISIONS			
REV.	DESCRIPTION	DRAWN	DATE
A	INITIAL RELEASE	BDK	2021-03-19



- NOTES:
- 1) FAST ACTING RELIEF VALVE(4) IS SET TO POP OPEN AT 150PSI.
  - 2) INPUT AIR LINE SHALL BE CLEAN OF DEBRIS, OIL & MOISTURE.
  - 3) AUTOMATIC CONDENSATE DRAIN VALVE IS FLOAT OPERATED TO SET OPEN WHEN THE WATER LEVEL RISES.
  - 4) WIRING STICKERS ARE PLACED NEXT TO THE WIRE TERMINAL BLOCK.
  - 5) AIR FILTER NEEDS TO BE INSTALLED AT THE INPUT AND OUTPUT AIR LINE PORTS.

ITEM NO.	DESCRIPTION	QTY.
1	60GAL VERTICAL AIR TANK - EPOXY COATED	1
2	ENCLOSURE	1
4	Fast Acting Relief Valve - 150PSI	1
11	3/4"NPT Check Valve	1
12	3/4"NPT Ball Valve	2
21	Snap Acting Relay	1
27	Digital Current Switch	3
28	5/2 Air Pilot Valve	1
37	Float Operated Condensate Drain Valve	1
39	Air Pressure Gauge	3
40	Wire Terminal Block	1
42	24VDC Current Relay	3

UNLESS OTHERWISE SPECIFIED	
FRACTIONS	± 1/32 NONE ± .02
ANGLES	± .1° .X ± 0.1
SURFACE FINISH	32 ✓ .XX ± .02
UOM	INCH .XXX ± .005

THIRD ANGLE PROJECTION

THE INFORMATION CONTAINED IN THIS DRAWING IS CONFIDENTIAL AND PROPRIETARY AND REMAINS THE EXCLUSIVE PROPERTY OF ELITE VALVE CANADA. THIS DRAWING MAY NOT BE USED, REPRODUCED IN WHOLE OR IN PART, NOR REVEALED TO OTHERS WITHOUT THE WRITTEN CONSENT OF ELITE VALVE CANADA.

BY ACCEPTANCE OF THIS DRAWING, THE BEARER AGREES TO THESE CONDITIONS.

DRAWN BY: BDK 2021-03-14

CHECKED BY: - -

**EliteValve**  
www.elitevalve.com

2305 WYECROFT RD. OAKVILLE, ON, L6L 6R2  
TEL: 519.756.3100 FAX: 519.756.3663

JOB NO.: \_\_\_\_\_ JOB NAME: \_\_\_\_\_

DWG NAME: **AIR/ POWER FAIL SYSTEM**

DWG NO.: **AIR SYSTEM(FC)**

REV. **A**

SIZE A SCALE: 1:24 WEIGHT: 537.95 LBS SHEET 1 OF 2