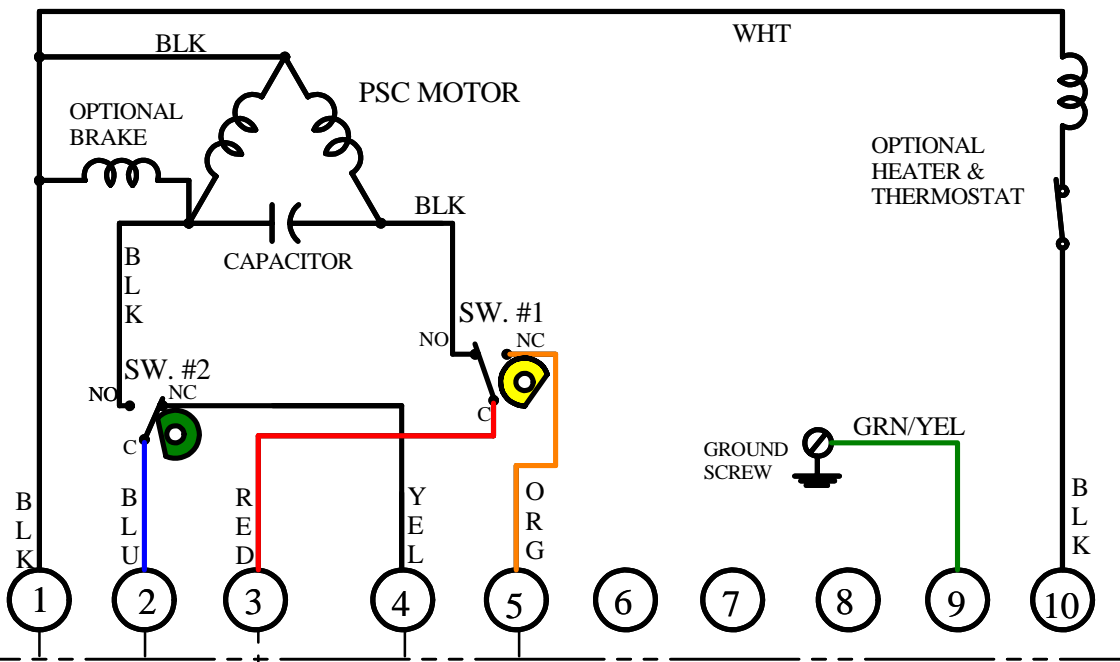
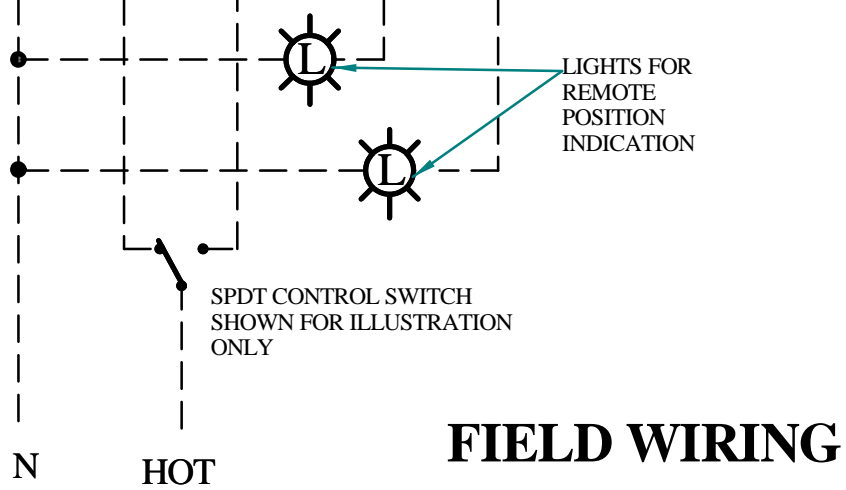
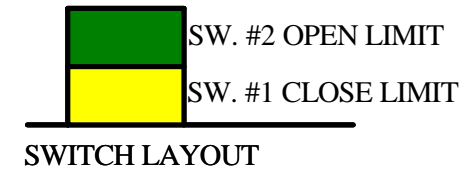


REV.	DESCRIPTION	DATE	BY
1	ADDED GROUND WIRE TO SCREW	18APR16	WJR



MOTOR WIRING:

ACTUATOR SERIES	CLOSE	OPEN
R, SD, SR, SX, MH	BRN	RED
MR, MS, ML	RED	BRN



NOTES:
 POWER TO TERMINALS ONE & TWO OPENS THE VALVE (CCW ROTATION)
 POWER TO TERMINALS ONE & THREE CLOSES THE VALVE (CW ROTATION)
 TERMINALS 4 & 5 ARE FOR LIGHT INDICATION
 WIRING DIAGRAM ILLUSTRATES THE ACTUATOR IN THE OPEN POSITION

Elite Valve

WIRING DIAGRAM, 115/230VAC ELECTRIC ACTUATOR, WITH OPTIONAL BRAKE & HEATER/THERMOSTAT

JLR 5-19-99
W990520